

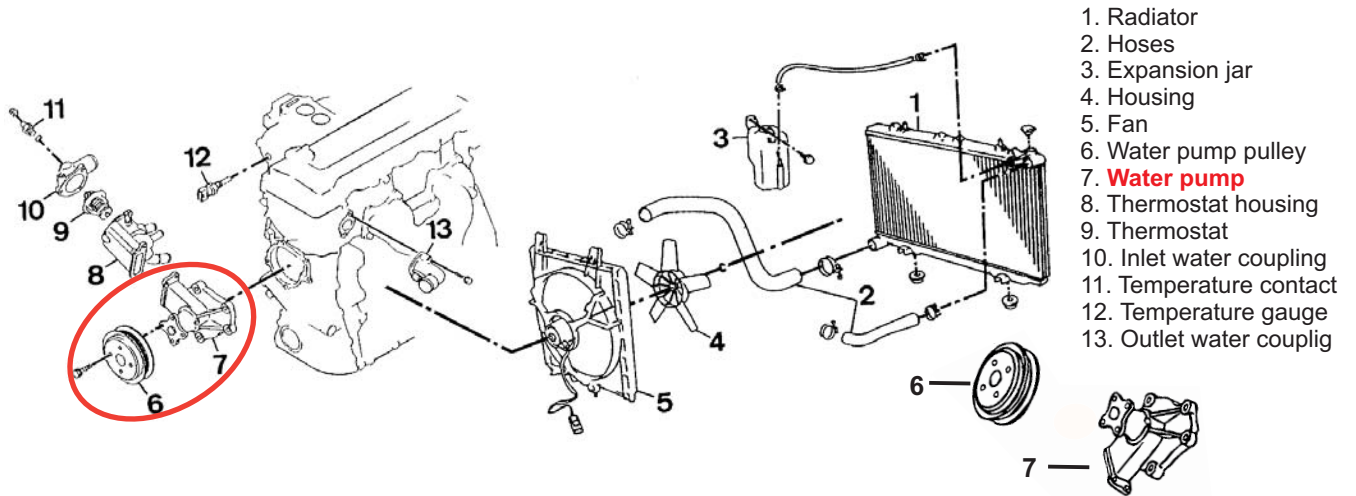
TECHNICAL INFORMATION SHEET

PART NUMBER: 9214

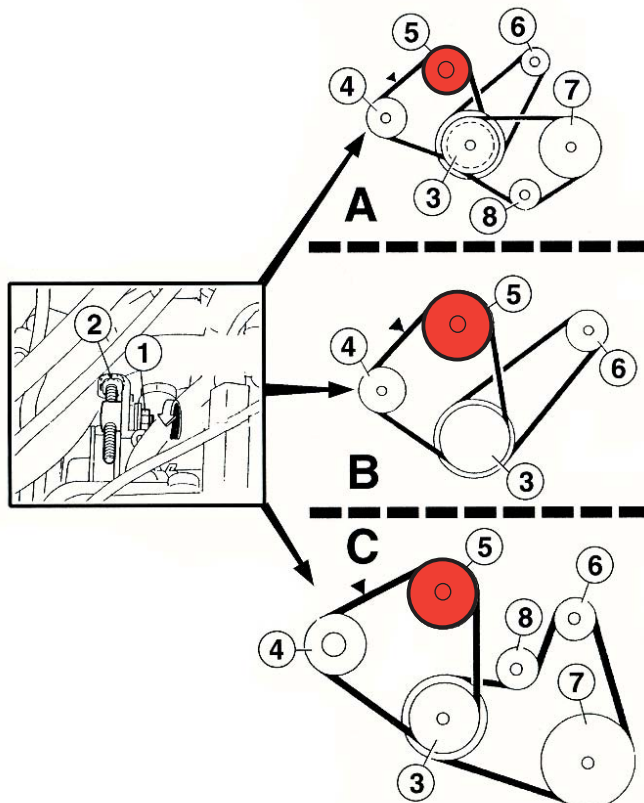


9214

Nissan Primera 1.6 petrol (up to 1994) cooling system



Belts distribution scheme from Nissan Primera and Nissan Almera.



- A. GA14DE engine
- B. GA16DE engine (without air conditioning)
- C. GA16DE engine (with air conditioning)

1. Upper fixing of power steering pump
2. Adjusting bolt
3. Crankshaft pulley
4. Power steering pulley
5. **Water pump pulley**
6. Alternator pulley
7. Compressor pulley
8. Tensile roller