

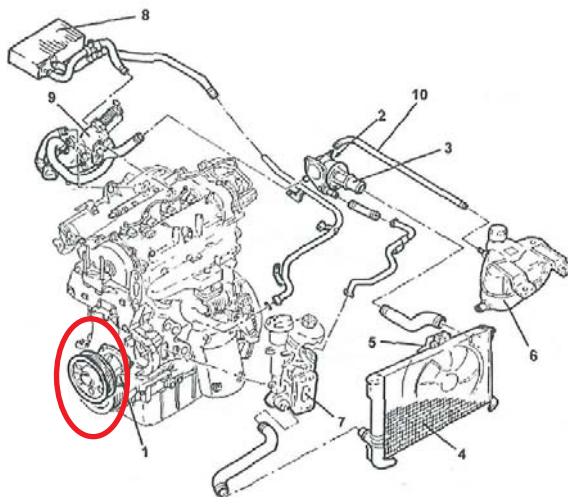
## TECHNICAL INFORMATION SHEET

PART NUMBER: **1674**



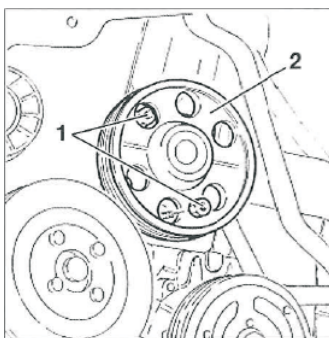
1674

Fiat Grande Punto diesel 1.3 Multijet engine scheme



1. Water pump
2. Temperature gauge
3. Thermostat
4. Radiador
5. Fan
6. Expansion jar
7. Exchanger water / oil
8. Heater radiator
9. Exchanger heat gases
10. Return tube to expansion jar

### Demounting and Mounting of the water pump



#### DEMOUNTING:

- Switch off the battery
- Empty the cooling system
- Demount the Micro V belt
- Through the pulley holes, unscrew the fixing bolts (2) and (1) and demount the water pump.

#### MOUNTING:

To assemble the water pump, respect the following steps:

- Clean the gasket surface
- Place the new water pump with a new gasket
- Respect the driving direction of the belt, marked in the disassembly
- Fill and purge the cooling system.

### Torque

Item	daN.m
Water pump	0,8 - 1