

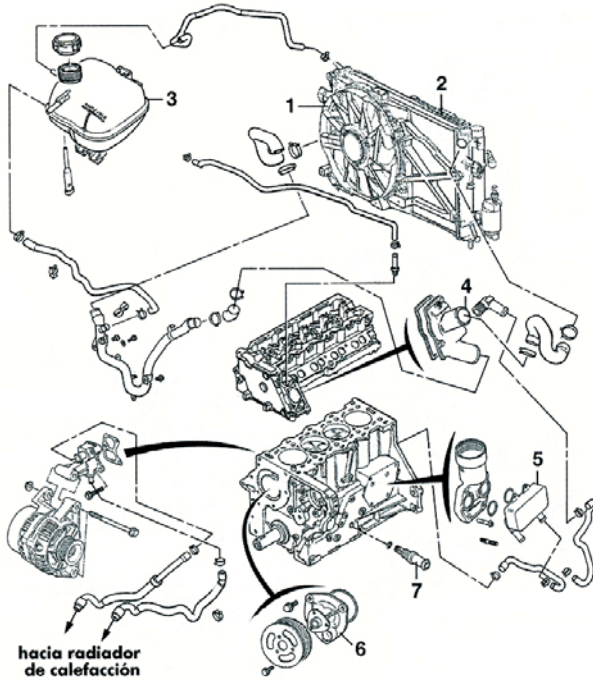
TECHNICAL INFORMATION SHEET

PART NUMBER: 1643

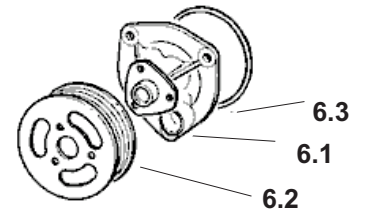


1643

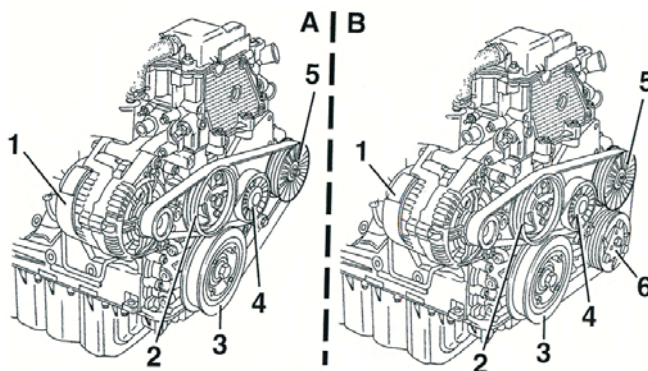
Example of a cooling system from an Opel Zafira / Astra G 2.0 Dti Turbodiesel



- 1. Fan
- 2. Fan radiator
- 3. Expansion jar
- 4. Thermostat housing
- 5. Heat exchanger
- 6. **Water pump**
- 6.1. Water pump body
- 6.2. Pulley
- 6.3. Gasket
- 7. Purge plug

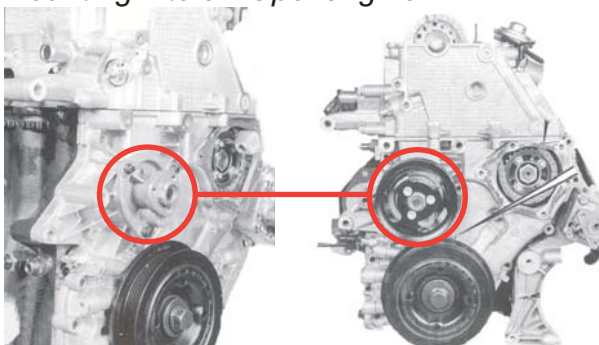


Micro-V belt scheme for X20DTL, Y20DTL and Y20DTH engines



- A. Without air conditioning
- B. With air conditioning
- 1. Alternator
- 2. **Water pump**
- 3. Crankshaft
- 4. Tensile roller
- 5. Roller guide
- 6. Compressor

Mounting into an Opel engine



Torque

Engine	ITEM	daN.m
X20DTL / Y20DTL / Y20DTH	Water pump	2
	Pulley	2