

TECHNICAL INFORMATION SHEET

PART NUMBERS: **1631** / **1632** / **1633**



1631

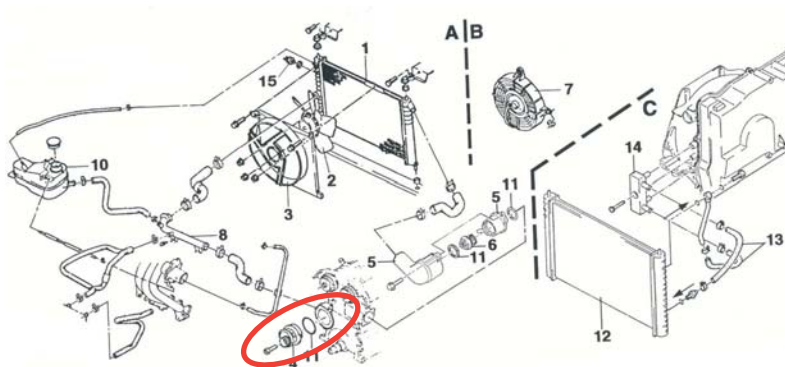


1632



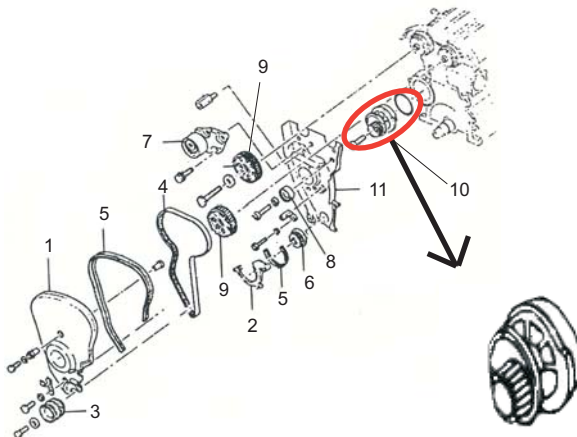
1633

Example of a cooling system from a Daewoo Nexia 1.5 16v (PN. 1632)



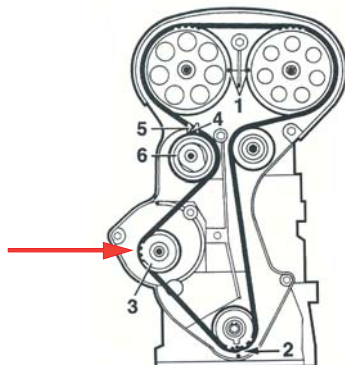
- A. Without air conditioning
- B. With air conditioning
- C. With automatic transmission
- 1. Radiator
- 2. Fan
- 3. Fan support
- 4. **Water pump**
- 5. Thermostat housing
- 6. Thermostat
- 7. Supplementary fan
- 8. Pipe
- 9. Temperature gauge
- 10. Expansion jar
- 11. Gasket
- 12. Coolant radiator, with AT (C)
- 13. Oil pipe, with AT (C)
- 14. Union block
- 15. Fan temperature contact

Distribution scheme



- 1. Upper cover
- 2. Lower cover
- 3. Crankshaft pulley
- 4. Timing belt
- 5. Gasket
- 6. Crankshaft pulley
- 7. Tensile roller
- 8. Roller guide
- 9. Sprocket
- 10. **Water pump**
- 11. Distribution internal cover

Mounting of the timing belt



- 1. Camshaft marks
- 2. Crankshaft marks
- 3. Water pump pulley
- 4. Tensile mobile mark
- 5. Tensile fixed mark
- 6. Tensile roller