

TECHNICAL INFORMATION SHEET

PART NUMBERS: **1630 / 1649**



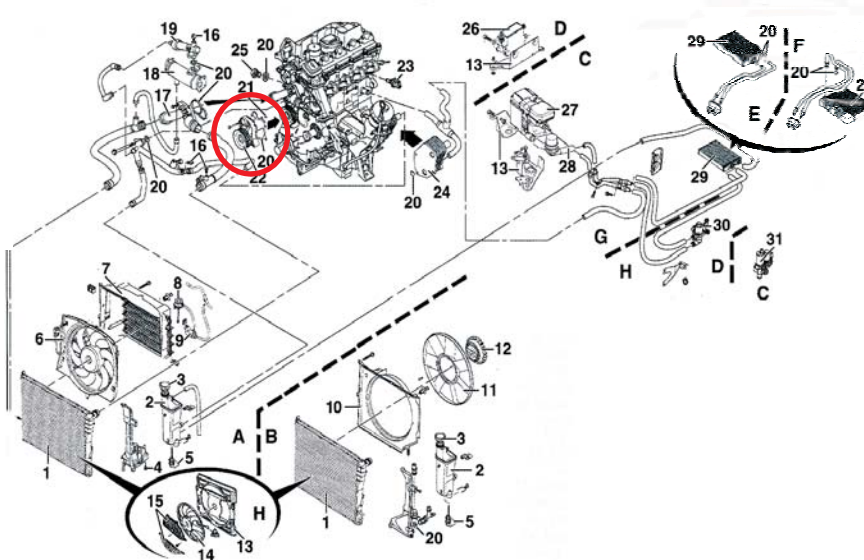
1630

BMW Serie 3 and 5 Turbodiesel.



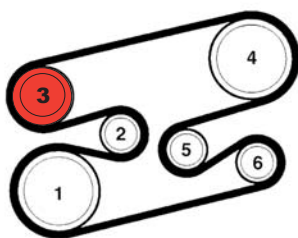
1649

Example of a cooling system BMW 4 cylinders (M47 engine, PN. 1630)



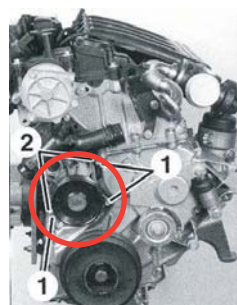
- A. Manual transmission
- B. Automatic transmission
- C. Up to 07/99-D. From 07/99
- E. Up to 09/00-F. From 09/00
- G Without air conditioning.
- H. With air conditioning.
- 1. Radiator
- 2. Expansion jar
- 3. Filler plug
- 4. Main plug
- 5. Minimal level contactor
- 6. Fan
- 11. Fan
- 12. Viscous coupling
- 13. Soppots
- 14. Additional fan
- 16. Bleeder screw
- 17. Main thermostat
- 18. Water interchanger / EGR
- 19. Water interchanger thermostat / EGR
- 20. Gaskets
- 21. Centred bushing
- 22. **Water pump**
- 23. Temperature gauge
- 24. Water/oil interchanger
- 25. Drain plug
- 26. Electrical additional heater
- 27. Additional heater.
- 28. Additional electric water pump
- 29. Heater radiator
- 30. Lock valve
- 31. Additional valve-pump set

Distribution scheme



- 1. Crankshaft
- 2. Idler
- 3. **Water pump**
- 4. Steering pump
- 5. Roller guide
- 6. Alternator

Engine block



Water pump fixing bolts location (1)
and centered bushing(2)

Torque

ITEM	daN.m
Water pump	1,5