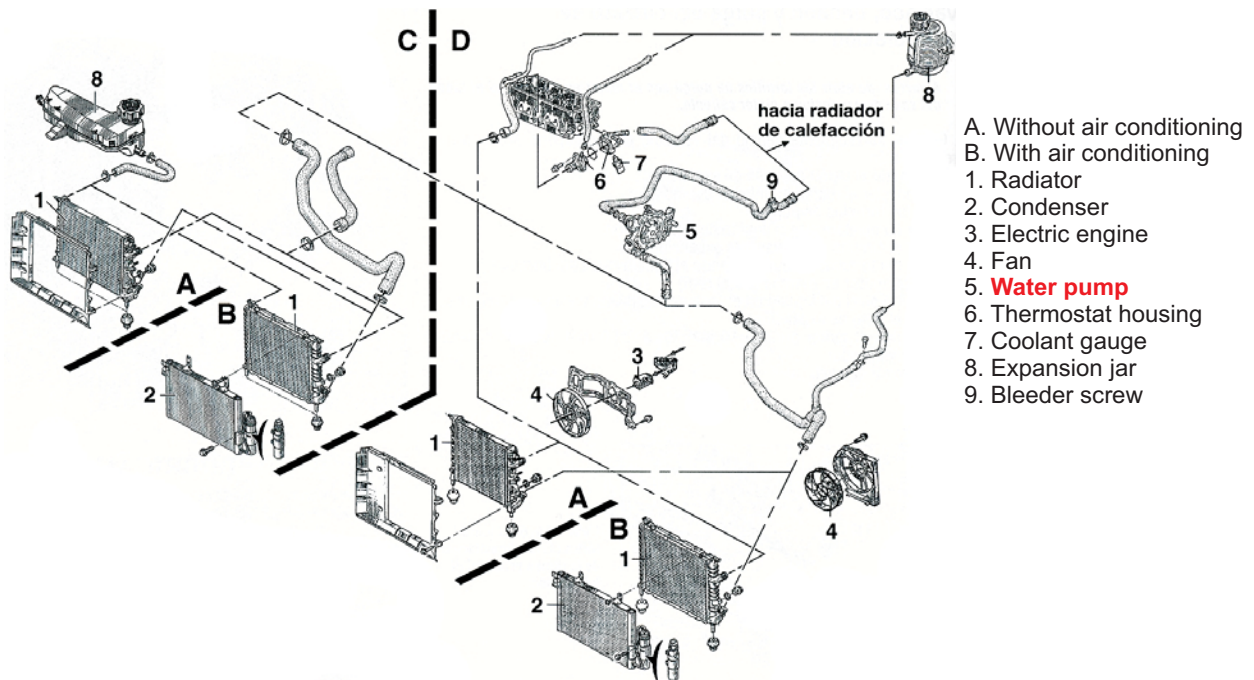


TECHNICAL INFORMATION SHEET

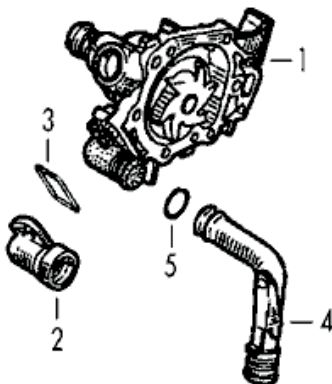
PART NUMBER: **1585**



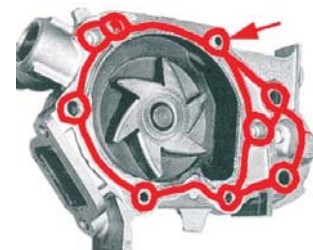
Example of a cooling system from a Renault Kangoo 1.2 gasoline



Backside view water pump



- 1. Water pump
- 2. Elbow
- 3. Gasket
- 4. Pump pipe
- 5. O'ring

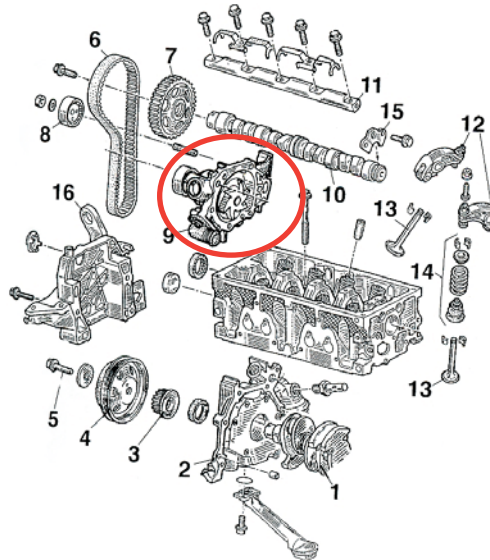
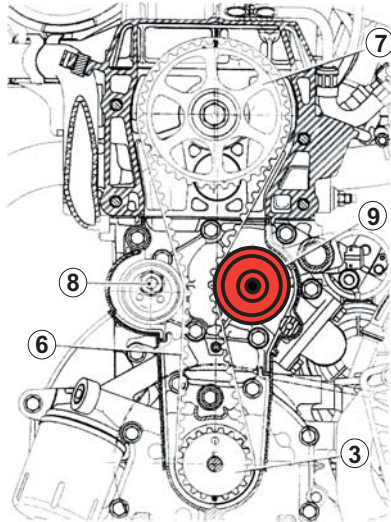


This pump does not have a gasket, there is a sealant application zone over the water pump.

TECHNICAL INFORMATION SHEET

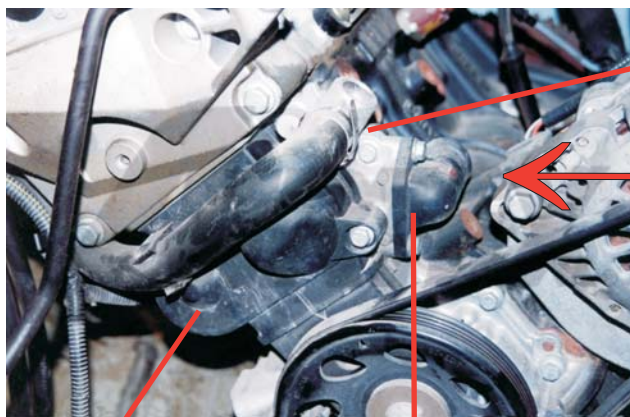
PART NUMBER: **1585**

Renault Clio or Kangoo 1.2



1. Crankshaft
2. Oil pump housing
3. Crankshaft sprocket
4. Crankshaft pulley
5. Crankshaft pulley bolt
6. Timing belt
7. Camshaft sprocket
8. Tensile roller
9. **Water pump**
10. Camshaft
11. Balance beams ramp
12. Balance beams
13. Valves
14. Spring, gasket, keys
16. Engine support

Engine front view

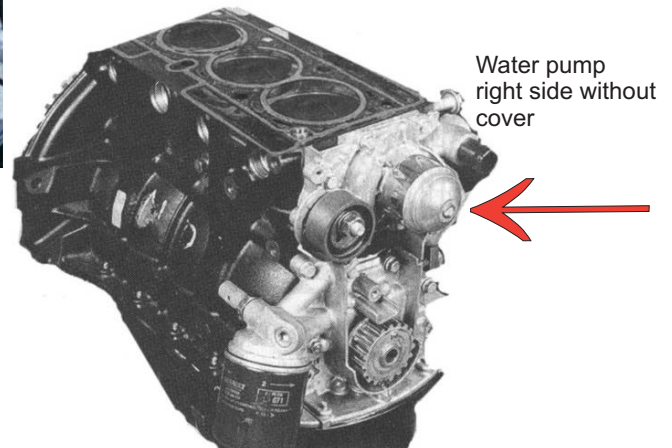


Protection cover

Elbow

Water pump

Water pump right side



Water pump
right side
without
cover