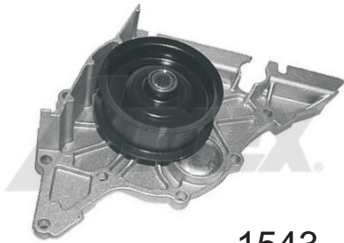


TECHNICAL INFORMATION SHEET

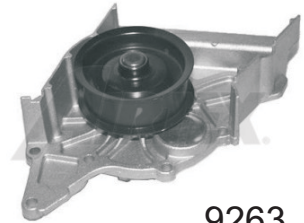
PART NUMBERS: 1543 / 1596 / 9263



1543

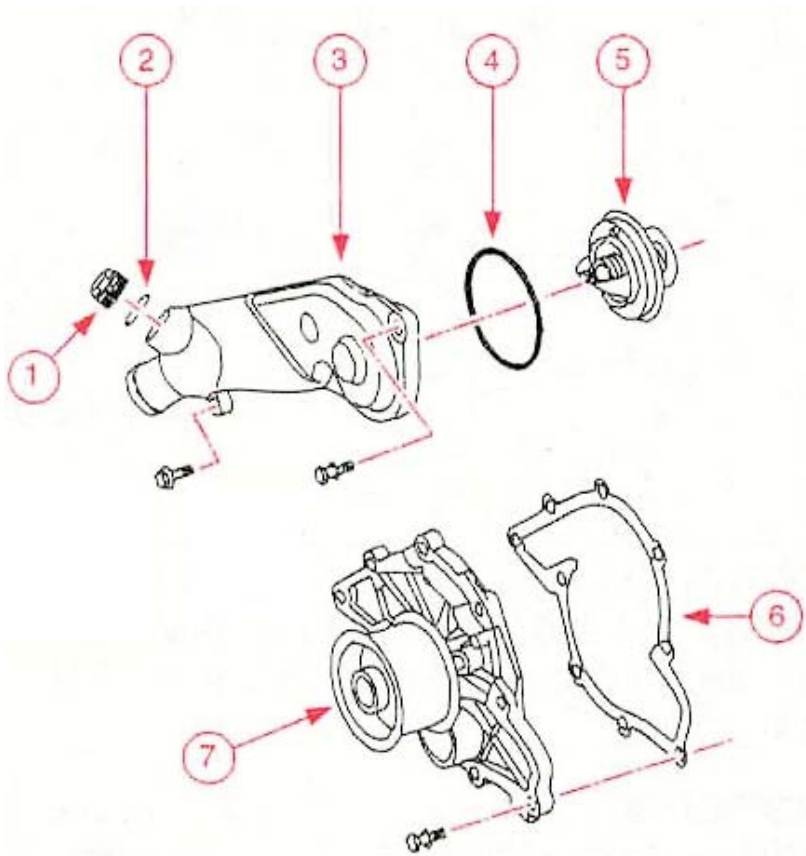


1596

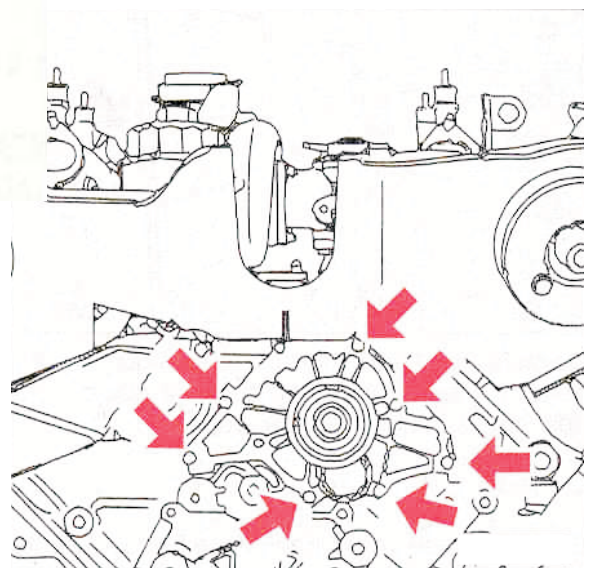


9263

Example of a cooling system from an Audi A4 '95.



- 1. Plug
- 2. O-ring
- 3. Thermostat housing
- 4. O-ring
- 5. Thermostat
- 6. Gasket
- 7. **Water pump**



Torque.

ITEM	daN.m
Water pump	1
Thermostat housing	1
Plug (1)	2,5