

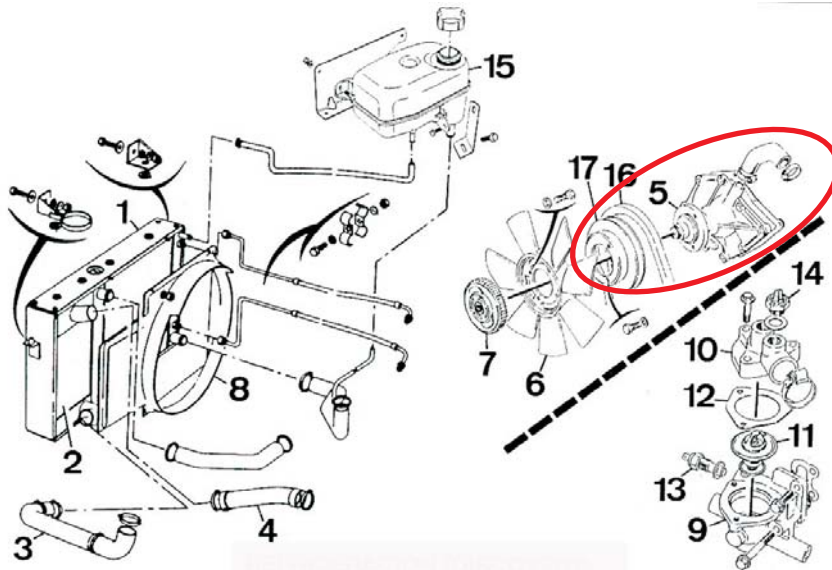
TECHNICAL INFORMATION SHEET

PART NUMBER: **1463**



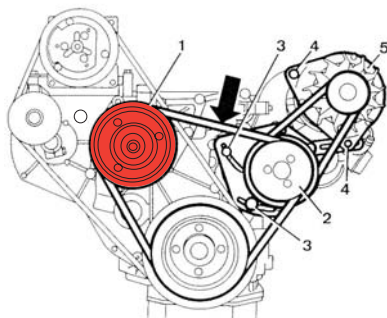
1463

Cooling system from a Discovery 200 Tdi



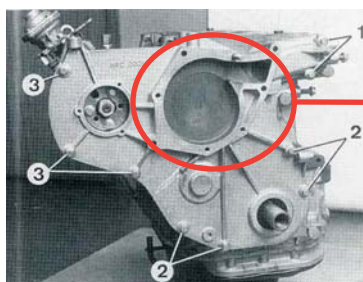
1. Radiator
2. Heat exchanger air-air
3. Inlet pipe
4. Outlet pipe to collector
5. **Water pump**
6. Fan
7. Viscous coupling
8. Cover
9. Thermostat housing
10. Cover
11. Thermostat
12. Gasket
13. Temperature gauge
14. Temperature contact alarm indicator
15. Expansion jar
16. Belt
17. Water pump pulley

Water pump belt



1. **Water pump pulley**
 2. Steering pump pulley
 3. Steering pump fixing
 4. Alternator fixing
 5. Alternator
- Arrow: Measuring point for timing belt tension

Mounting of the water pump into engine block



Water pump location