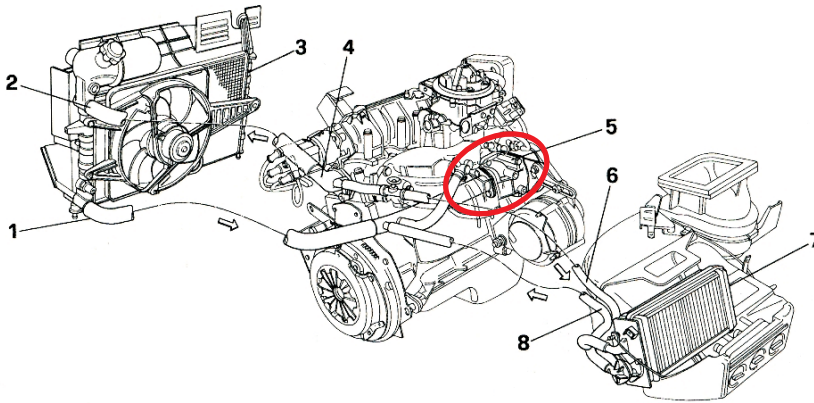


TECHNICAL INFORMATION SHEET

PART NUMBERS: **1431 / 1547**

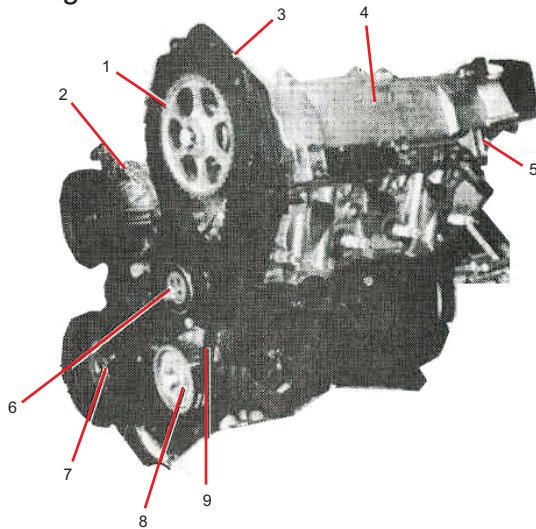


Example of a cooling system from a Fiat Tempra 1.4 and 1.6. (PN. 1431)



1. Coolant by-pass hose from radiator to water pump.
2. Coolant by-pass hose from thermostat to radiator.
3. Cooling radiator.
4. By-pass thermostat controlled to coolant mixture.
5. **Water pump**
6. Coolant hose from and engine to heater-radiator
7. Heater-radiator
8. Coolant by-pass hose from heater-radiator to water pump.

Scheme from the engine



1. Camshaft
2. **Water pump**
3. Back cover from distribution
4. Cam cover
5. Cylinder head
6. Belt idler
7. Crankshaft
8. Intermediate camshaft sprocket
9. Timing belt

Example of a cooling system from a Lancia Delta '93 1.6i

