

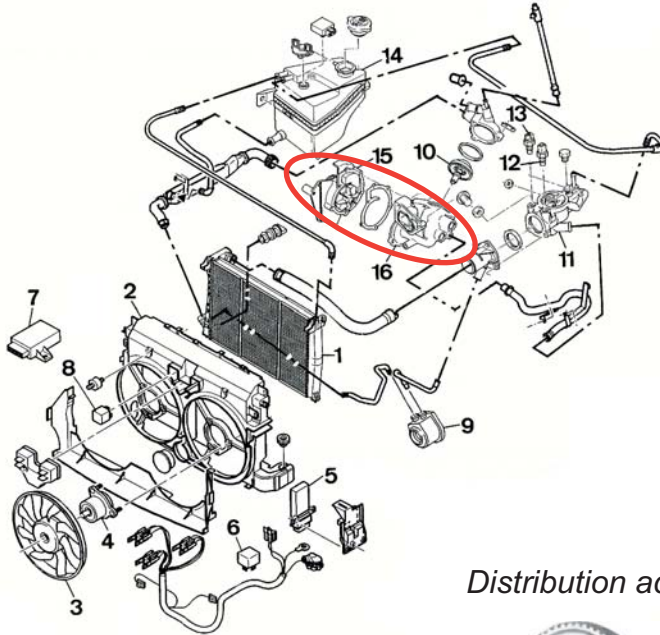
TECHNICAL INFORMATION SHEET

PART NUMBERS: 1420



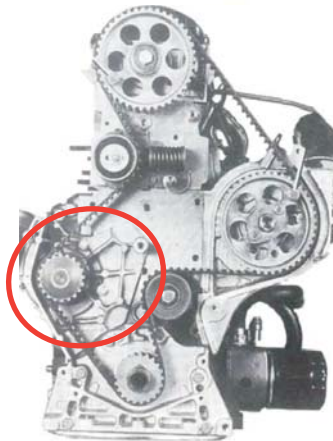
1420

Example of a cooling system from a Peugeot 406 Turbodiesel 2.1



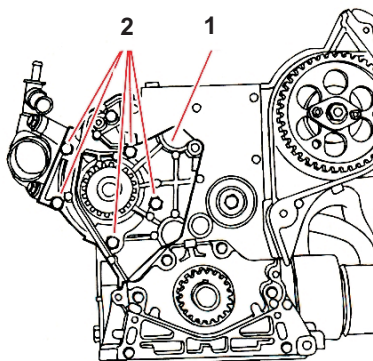
1. Radiator
2. Fan support
3. Fan
4. Fan engine
5. Fan Electronic control module
6. Relay of cut of air conditioning
7. Control unit of air conditionig
8. Relay
9. Exanger oil/water
10. Thermostat
11. Coupling box
- 12 y 13. Water temperature gauge
14. Expansion jar
15. **Water pump**
16. Water pump cover

Distribution adjustment

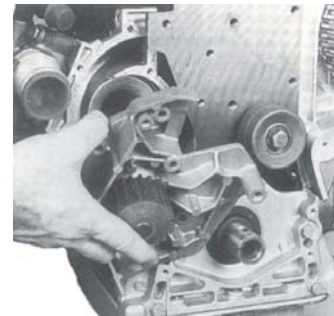


The water pump is driven by the timing belt.

Mounting and demounting of the water pump



- 1° Replace a new gasket
- 2° Water pump (1)
- 3° Tight bolt



Torque	(daN.m)
Water pump	1