

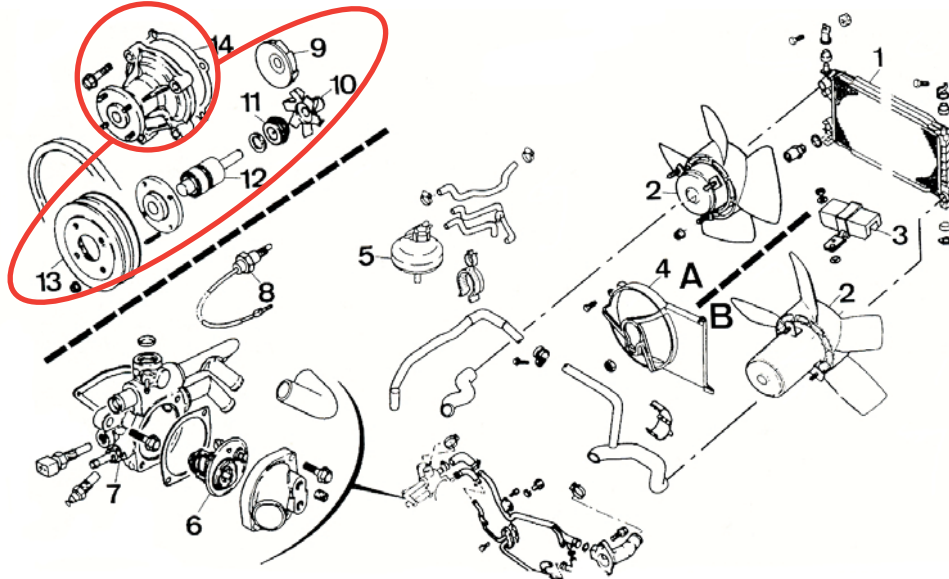
## TECHNICAL INFORMATION SHEET

**PART NUMBERS: 1388 / 1391 / 1550 / 1551 / 1552 / 1667**



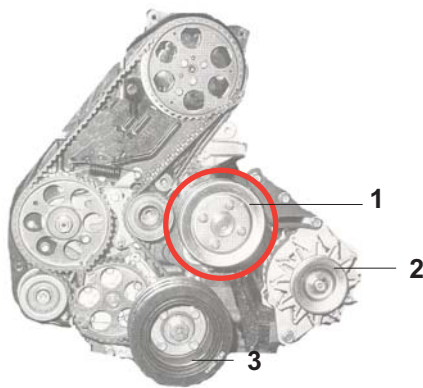
1388      1391      1550      1551      1552      1667

*Example of a cooling system from an Opel Corsa '93 Diesel engine (PN. 1391)*



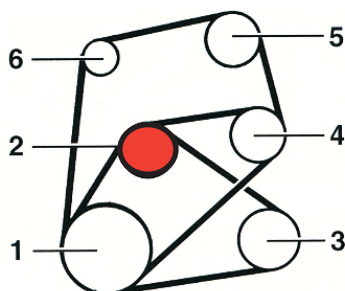
1. Radiator
2. Fan engine
3. Resistance
4. Cover
5. Expansion jar
6. Thermostat
7. Thermostat housing
8. Temperature gauge
9. Engine turbine 1.5D & DT
10. Engine turbiner 1.7D
11. Seal
12. Water pump shaft
13. Pulley
14. **Water pump** and gasket

*Engine side view, water pump location*



1. Water pump pulley
2. Alternator
3. Crankshaft pulley

*Belt mounting: Opel Vectra B '96 (X17DT engine) (PN. 1550)*



1. Crankshaft pulley
2. **Water pump pulley**
3. Alternator pulley
4. Power steering pulley
5. Air conditioning compressor pulley
6. Idler

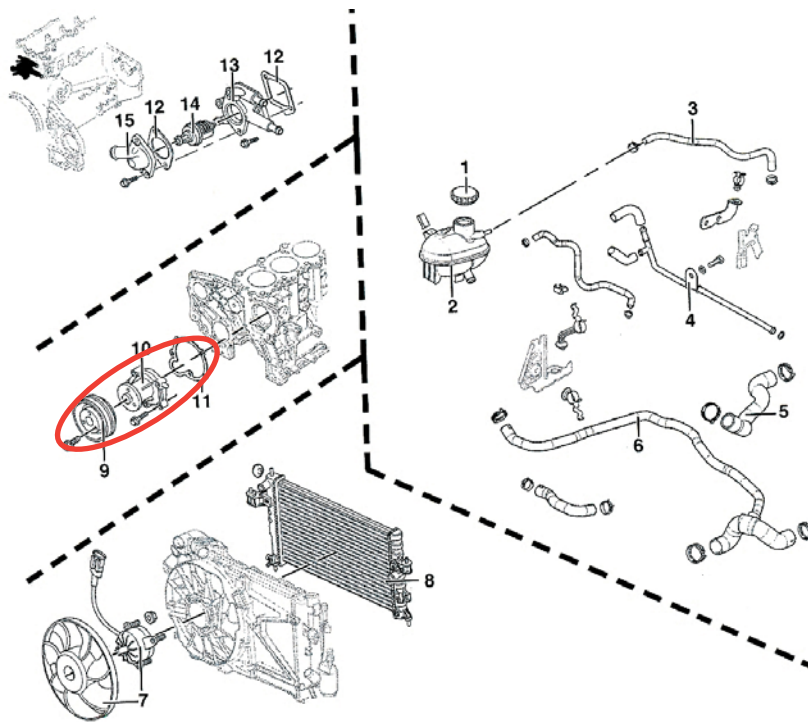
*Torque*

Model	Part Number	(daNa.m)
Opel Corsa 93	1391	2
Opel Vectra Diesel (X17DT)	1550	2

## HOJA DE INFORMACIÓN TÉCNICA

REFERENCIAS: 1388 / 1391 / 1550 / 1551 / 1552 / 1667

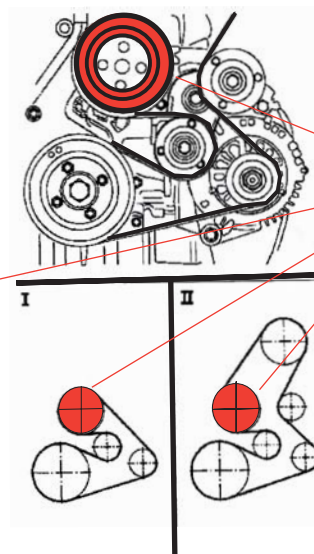
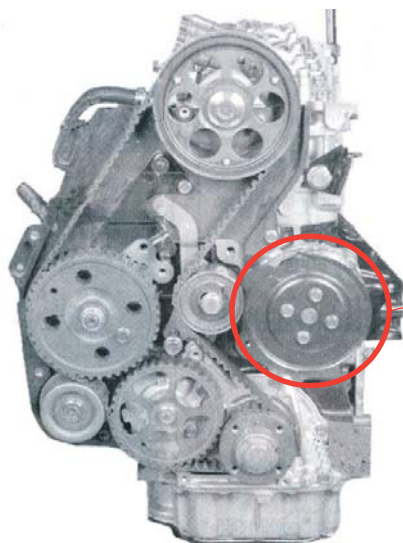
Ejemplo del circuito de refrigeración Opel Corsa C Diesel



1. Expansion jar plug
2. Expansion jar
3. Hose from radiator to expansion jar
4. Pipe to thermostat
5. Hose from radiator to thermostat
6. Radiator upper hose
7. Fan engine
8. Radiator
9. Water pump pulley
10. **Water pump**
11. Water pump gasket
12. Gaskets
13. Thermostat housing
14. Thermostat

Distribution adjustment

Belt, engine Y17DT



Water pump

Torque

Item	(daN.m)
Water Pump	2
Pulley	1