

TECHNICAL INFORMATION SHEET

PART NUMBERS: **1368 / 1382 / 9209 / 9251**



1368



1382

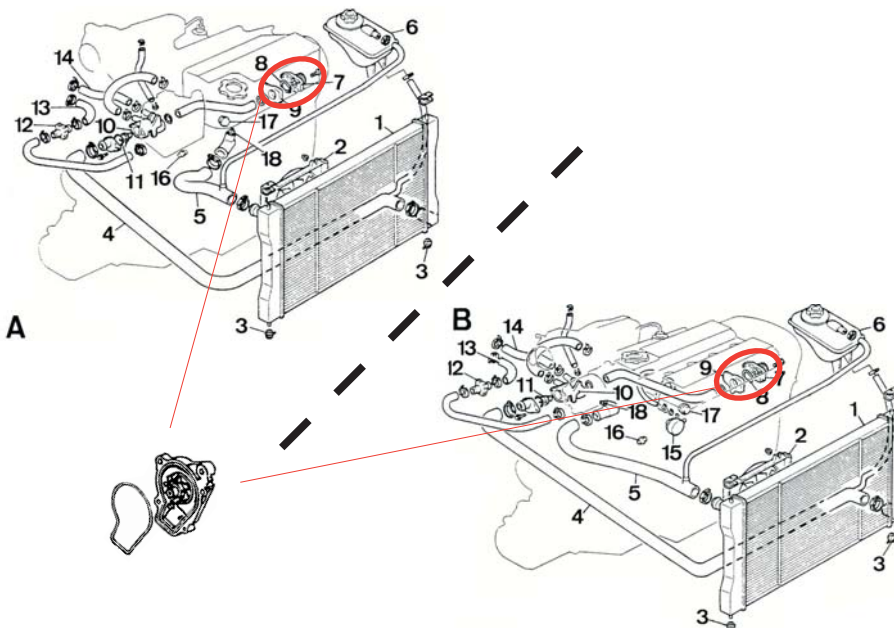


9209

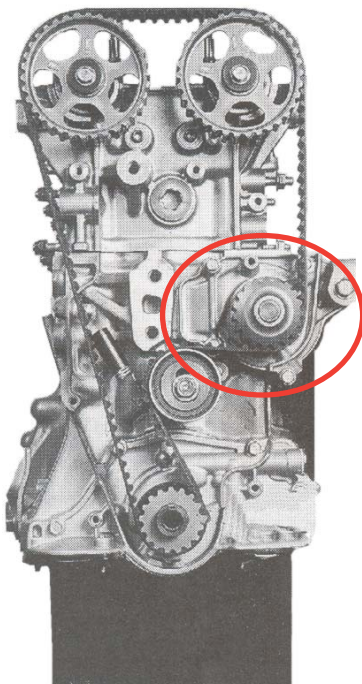


9251

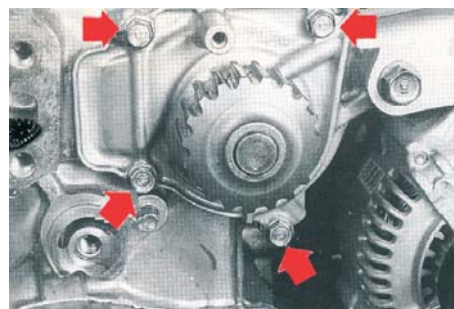
Cooling system from a Rover 200-400 engine 1.6 (PN. 1368)



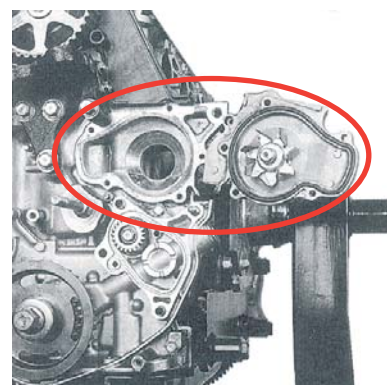
- A. Engine with one camshaft
- B. Engine with two camshafts
- 1. Radiator
- 2. Fan
- 3. Silent block
- 4. Lower hose
- 5. Upper hose
- 6. Expansion jar
- 7. **Water pump**
- 8. O' ring
- 9. Water pump cover
- 10. Thermostat housing
- 11. Thermostat
- 12. Connection
- 13. Inlet pipe
- 14. Heater return tube
- 15. Interchanger water-oil
- 16. Temperature gauge
- 17. Thermostat switch
- 18. Bleeder screw



The water pump is driven by the timing belt



Water pump fixing bolts. (PN. 1368)



Demounting of a water pump. (PN. 9209)

Torque

Item	(daN.m)
Water Pump	1,2