

TECHNICAL INFORMATION SHEET

PART NUMBERS: **1366 / 1577 / 1578**



1366



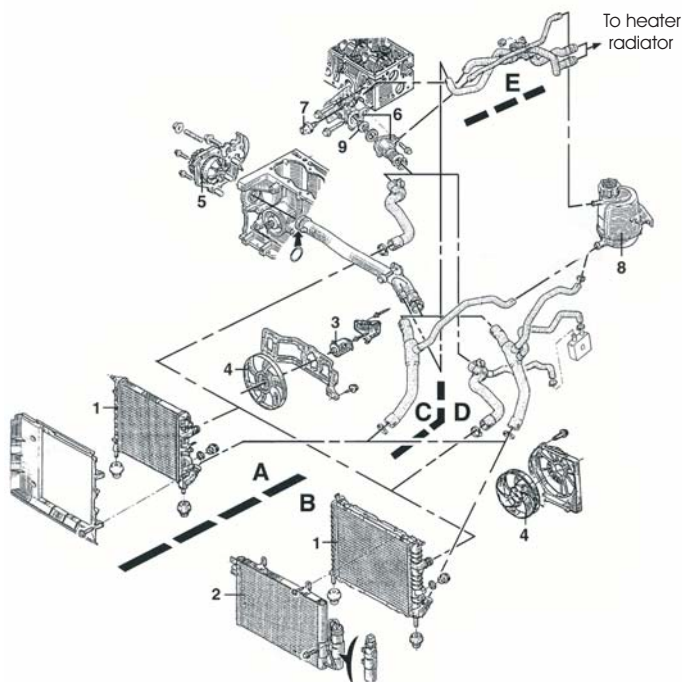
1577



1578

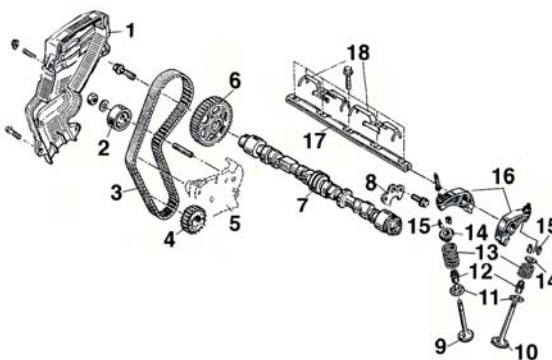
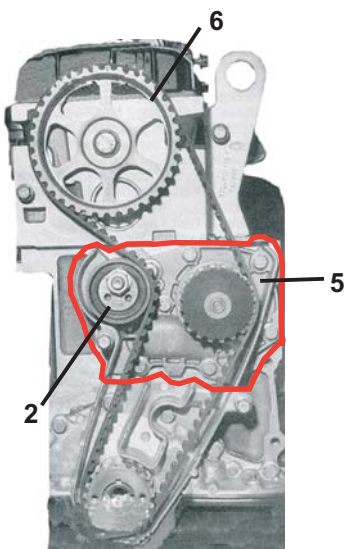
NOTE: The difference between this references is in the housing

Example of a cooling system in a Renault Kangoo, Clio II and Megane 1.4



- A. Without air conditioning
- B. With air conditioning
- C. Without automatic transmission
- D. With automatic transmission
- E. With or without automatic transmission
- 1. Radiator
- 2. Condenser
- 3. Electric motor
- 4. Fan
- 5. **Water pump**
- 6. Thermostat housing
- 7. Temperature gauge
- 8. Expansion jar
- 9. Thermostat

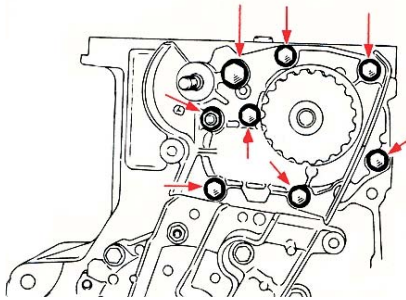
Distribution scheme from Renault Kangoo, Clio II and Megane 1.4



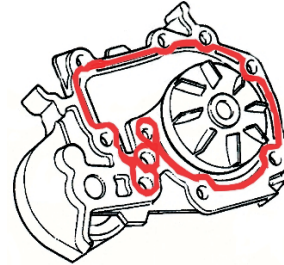
- 1. Drive case
- 2. Belt idler
- 3. Timing belt
- 4. Crankshaft sprocket
- 5. **Water pump**
- 6. Camshaft sprocket
- 7. Camshaft
- 8. Camshaft lock plate.
- 9. Relief valve
- 10. Inlet valve
- 11. Lower adjustment
- 12. Valve holder
- 13. Valve spring
- 14. Upper spring adjustment
- 15. Clamp
- 16. Balance beams
- 17. Balance beams ramp
- 18. Balace beams clamp

TECHNICAL INFORMATION SHEET

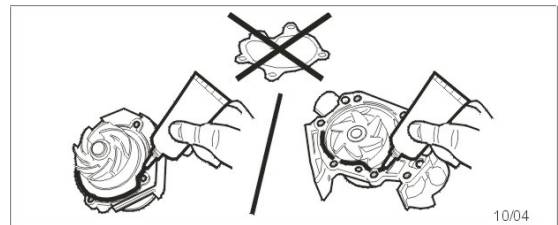
PART NUMBERS: **1366 / 1577 / 1578**



Water pump bolts

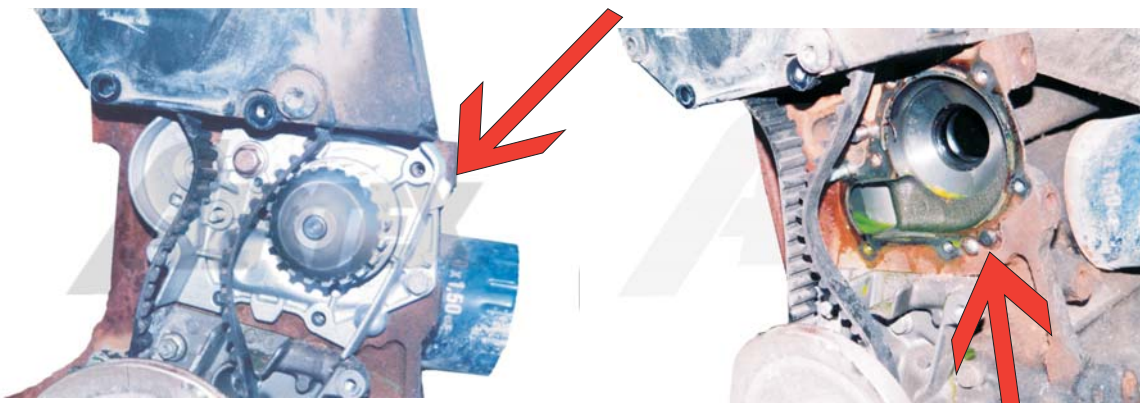


This water pump does not use gasket, there is a sealant application zone over the water pump.



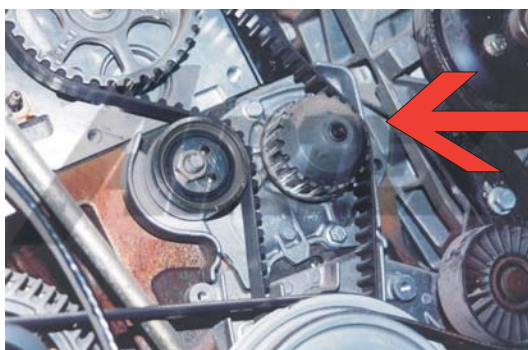
Example of mounting of the following Part Numbers:

1366



Water pump location

1578



Water pump

Torque

| Model | Fixing | daN.m |
|----------------------------|--------|-------|
| Clio II / Kangoo 1.4 y 1.6 | Bolt | 2,2 |
| | Nut | 1 |