

TECHNICAL INFORMATION SHEET

PART NUMBERS: 1285 / 1287

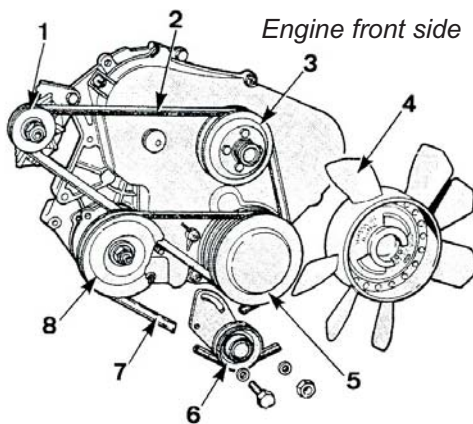
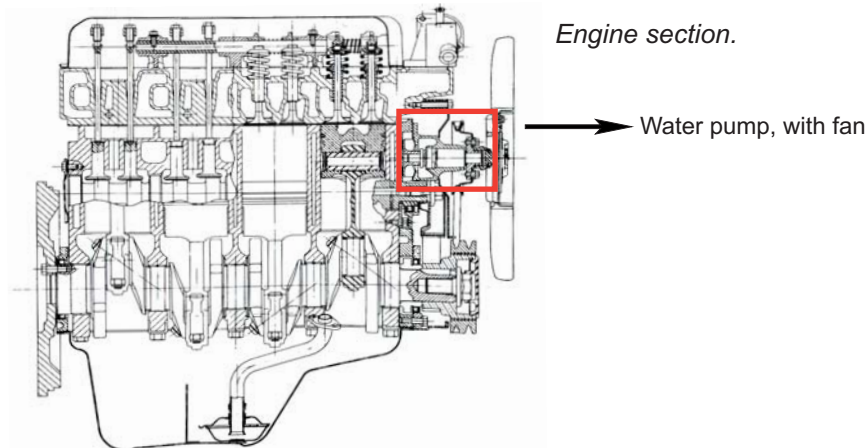


1285

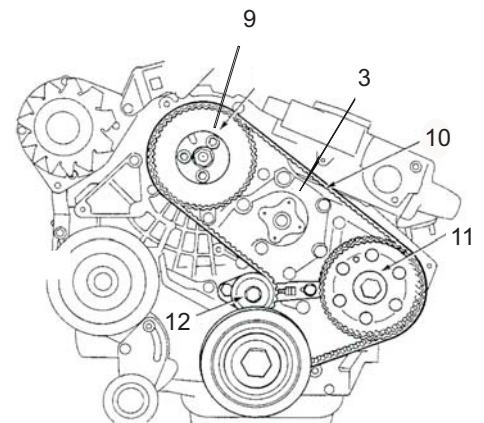


1287

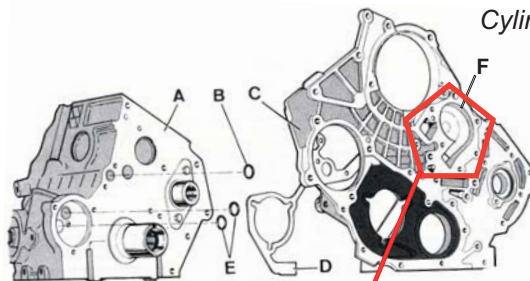
Example: mounting of a water pump into a Ford Transit Diesel engine



- 1. Alternator pulley
- 2. Belt
- 3. **Water pump**
- 4. Fan
- 5. Anti-rattle
- 6. Water pump tensor
- 7. Belt
- 8. Vaccum pump pulley
- 9. Injection pump sprocket
- 10. Timing belt
- 11. Camshaft sprocket
- 12. Tensor

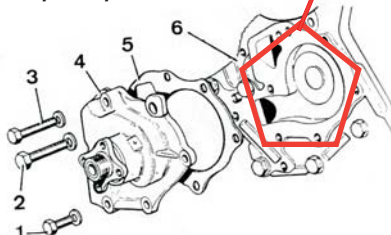


Situación de la correa de distribución



- A. Cylinder block
- B. O'ring
- C. Distribution case
- D. Gasket
- E. Oil pump gasket
- F. Water pump location

Water pump



- 1. 8x25 mm bolts (3 bolts)
- 2. 10x50 mm bolts
- 3. 8x45 mm bolts (2 bolts)
- 4. Water pump
- 5. Gasket
- 6. Drive case

Torque

Item		(daN.m)
Water pump	M8	2.3
	M10	4.5
pulley	-	1.0