

TECHNICAL INFORMATION SHEET

PART NUMBERS: **1235 / 1236 / 1444 / 1634**



1235



1236

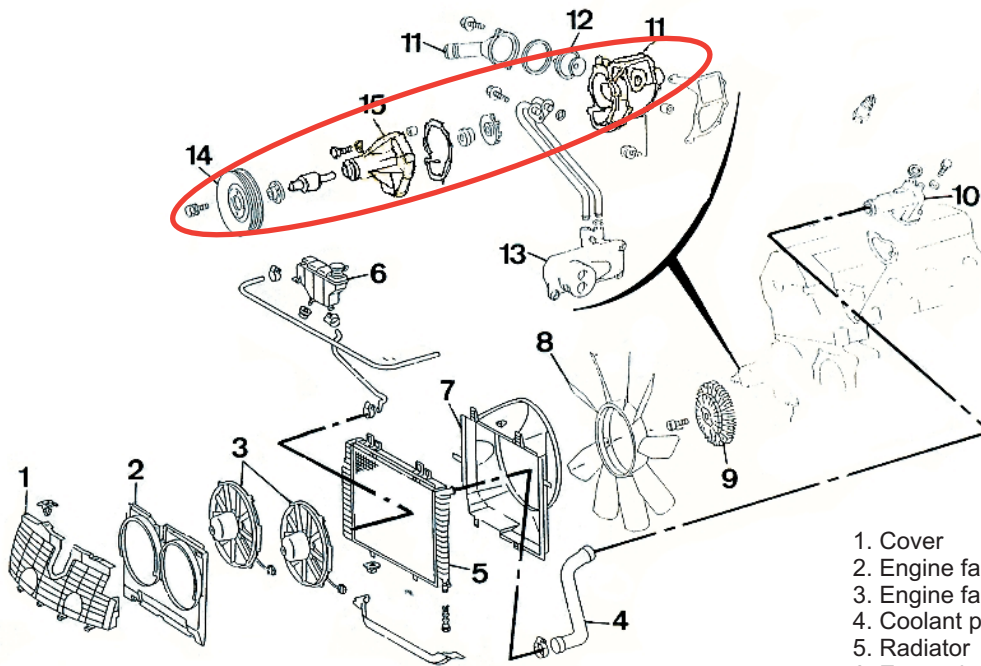


1444



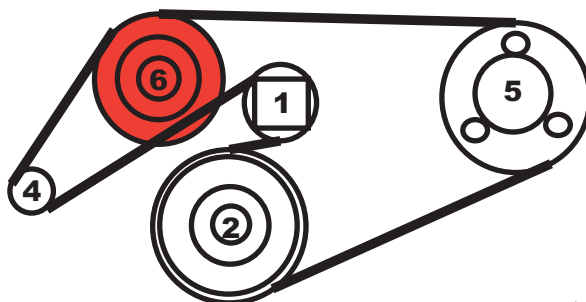
1634

Example of a cooling sytem from a Mercedes Benz C=class diesel (PN. 1236)

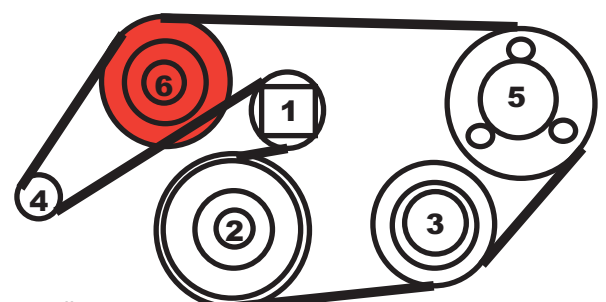


1. Cover
2. Engine fan support
3. Engine fans
4. Coolant pipe
5. Radiator
6. Expansion jar
7. Engine cover
8. Fan
9. Fan control
10. Water outlet deposit
11. Water pump cover
12. Thermostat
13. Coolant oil to crakcase
14. Water pump pulley
15. Water pump housing

Mounting of the belt



With air conditioning (3)



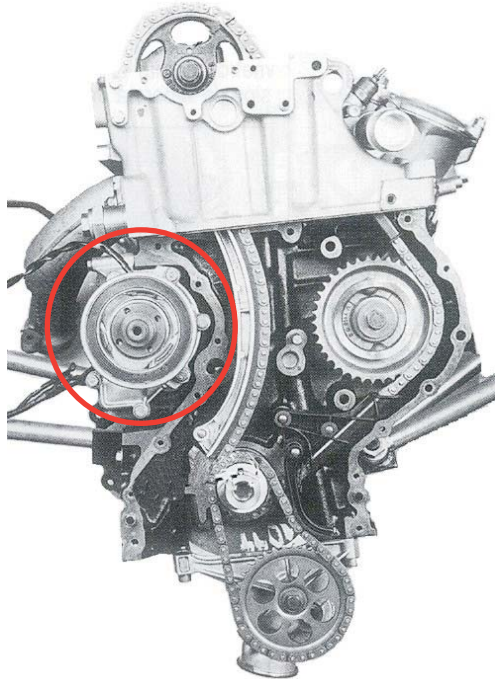
1 & 4. Tensioner rollers
6. Water pump

TECHNICAL INFORMATION SHEET

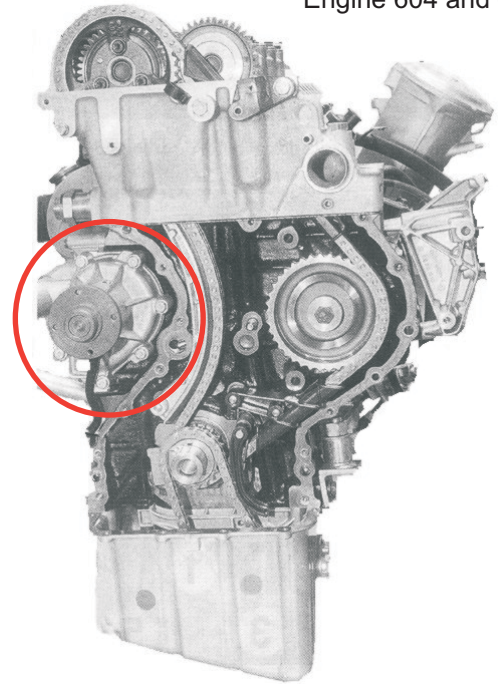
PART NUMBERS: **1235 / 1236 / 1444 / 1634**

Distribution adjustment (PN 1235 and 1236)

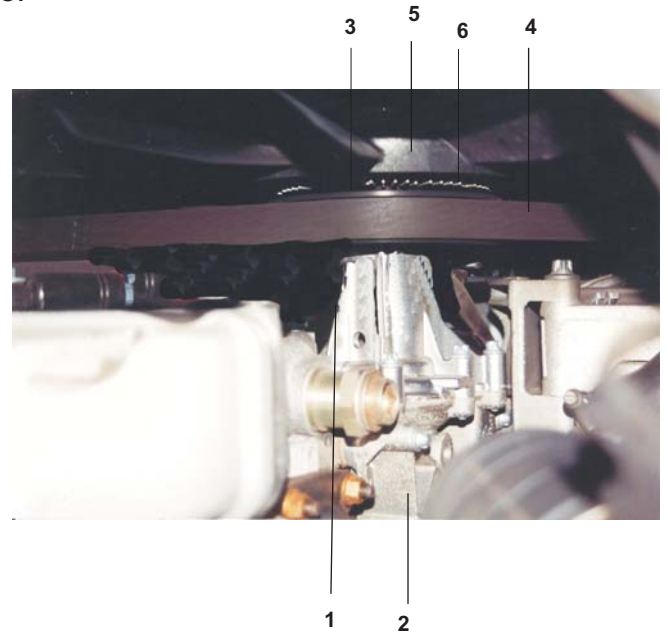
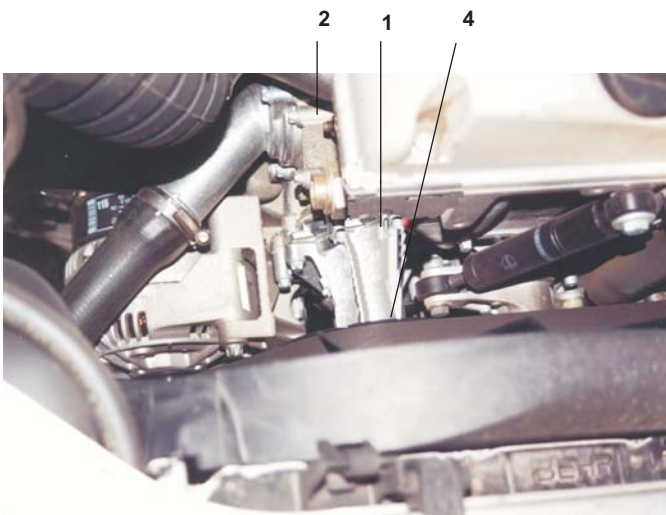
Engine 601



Engine 604 and 605



Mounting of a water pump into a 300 TD engine.



- 1. Water pump body
- 2. Cover
- 3. Pulley
- 4. Belt
- 5. Fan
- 6. Viscous fan

Torque

Item	(daN.m)
Water pump	1
Cover	1
Pulley	1