

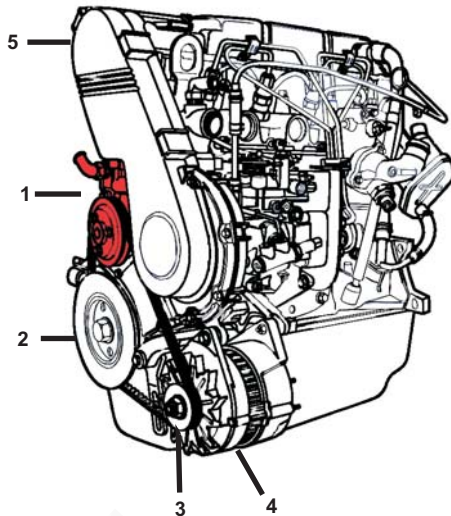
## TECHNICAL INFORMATION SHEET

PART NUMBER: **1197**



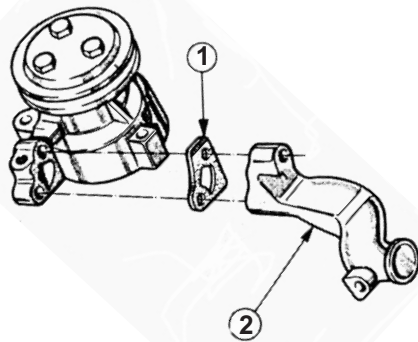
1197

Diesel engine from a Ford Escort



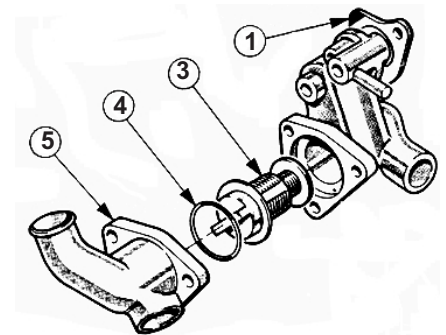
1. Water pump
2. Crankshaft
3. Belt
4. Alternator
5. Distribution cover

Water pump set

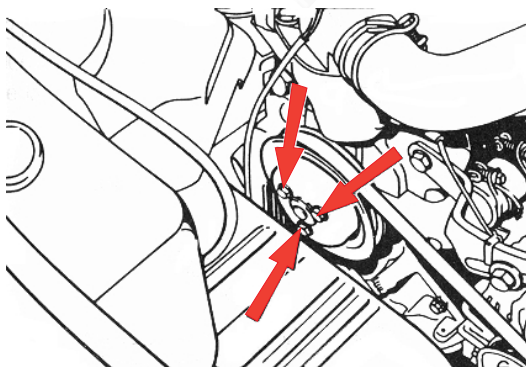


1. Gasket with log
2. Inlet connection
3. Thermostat
4. O' ring
5. Outlet set

Water exit set



Water pump pulley's fixing bolts



Torque

Item	(daN.m)
Water pump	2 - 2,5
Pulley	0,7 - 1