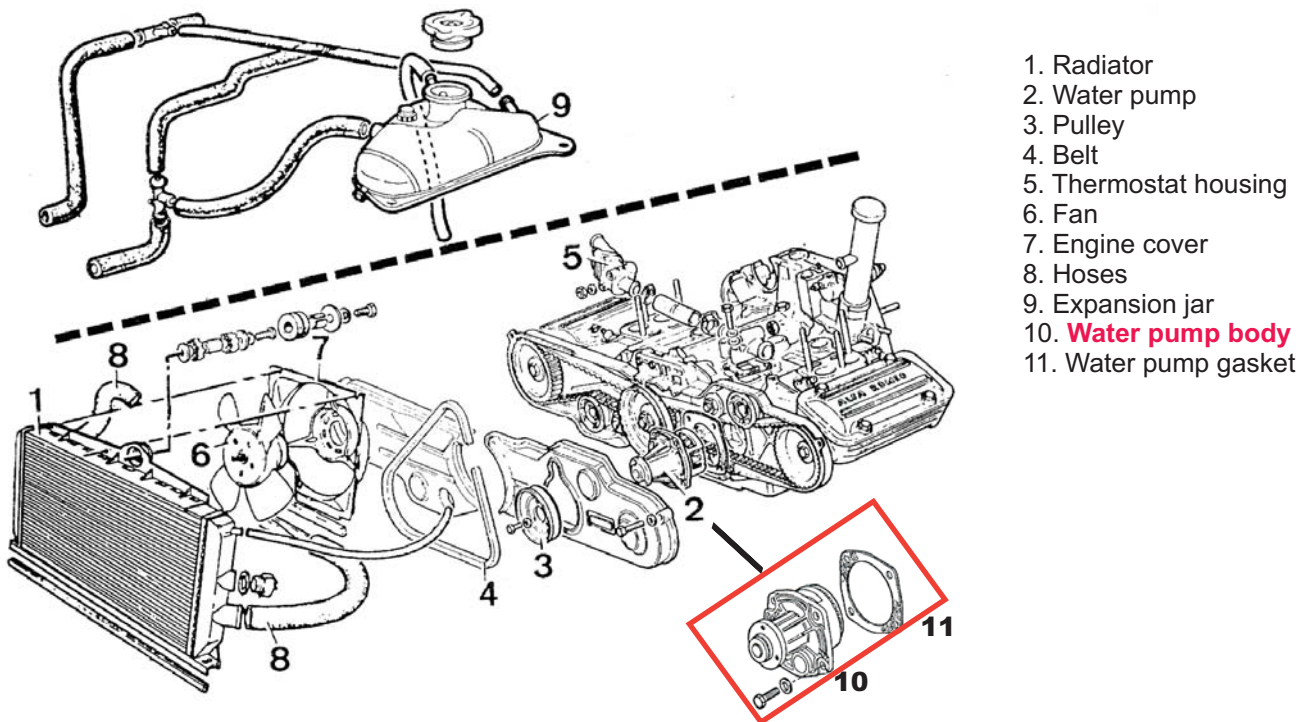


TECHNICAL INFORMATION SHEET

PART NUMBERS: **1183 / 1189**

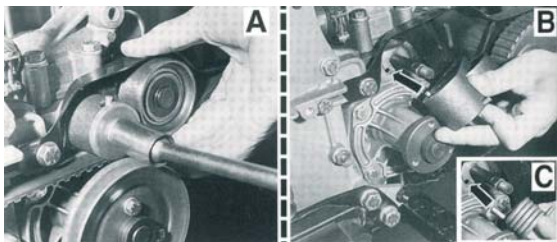


Alfa Romeo "Alfa 33" cooling system



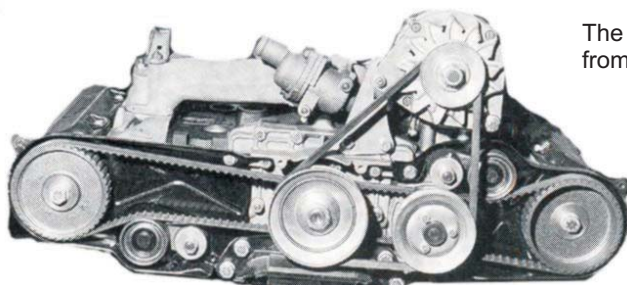
1. Radiator
2. Water pump
3. Pulley
4. Belt
5. Thermostat housing
6. Fan
7. Engine cover
8. Hoses
9. Expansion jar
10. **Water pump body**
11. Water pump gasket

Example: Dimounting of a timing belt idler (8 valves engine, Alfa 33)



- A. Press the tensioner to remove the belt
- B. Remove the tensioner
- C. Mounting position of the tensioner spring

Example: Distribution adjustment (8 valves engine, Alfa 33)



The pump is driven by a timing belt, which is shared with the alternator from the crankshaft.

Torque: From 2 to 2,4 daN.m