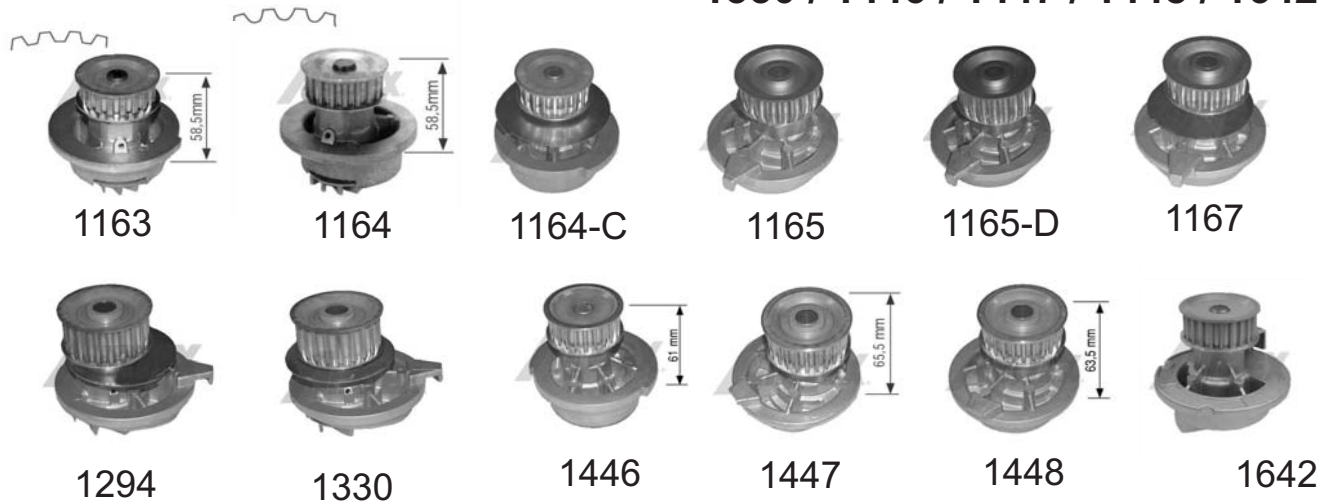
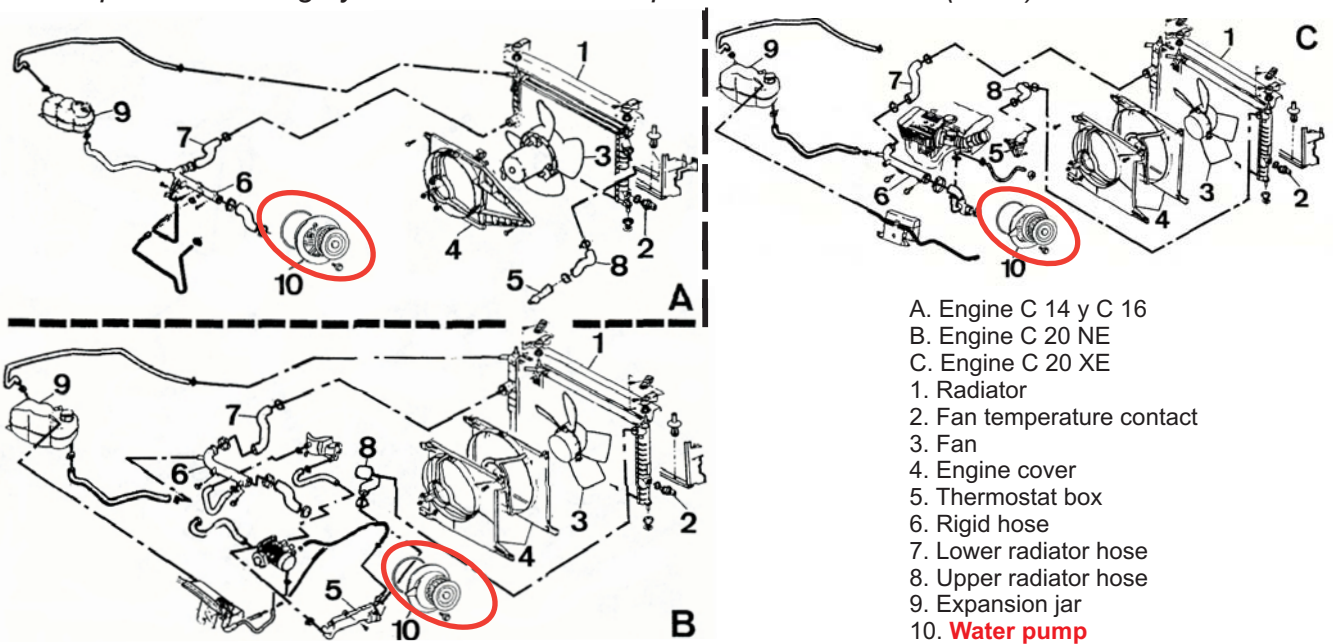


TECHNICAL INFORMATION SHEET

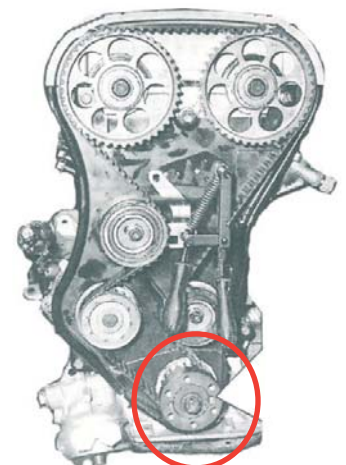
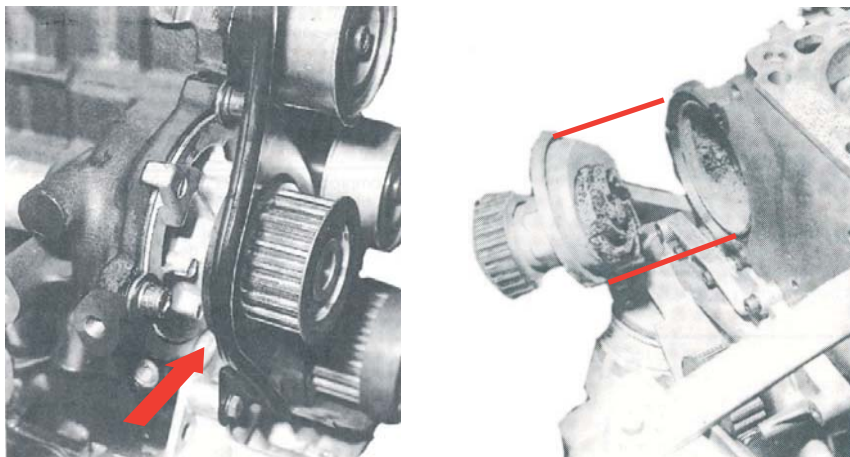
PART NUMBERS: 1163 / 1164 / 1164-C / 1165 / 1165-D / 1167 / 1294
1330 / 1446 / 1447 / 1448 / 1642



Example of a cooling system from a Petrol Opel Astra / Corsa '93 (1446)



Mounting of water pump, and distribution adjustment.



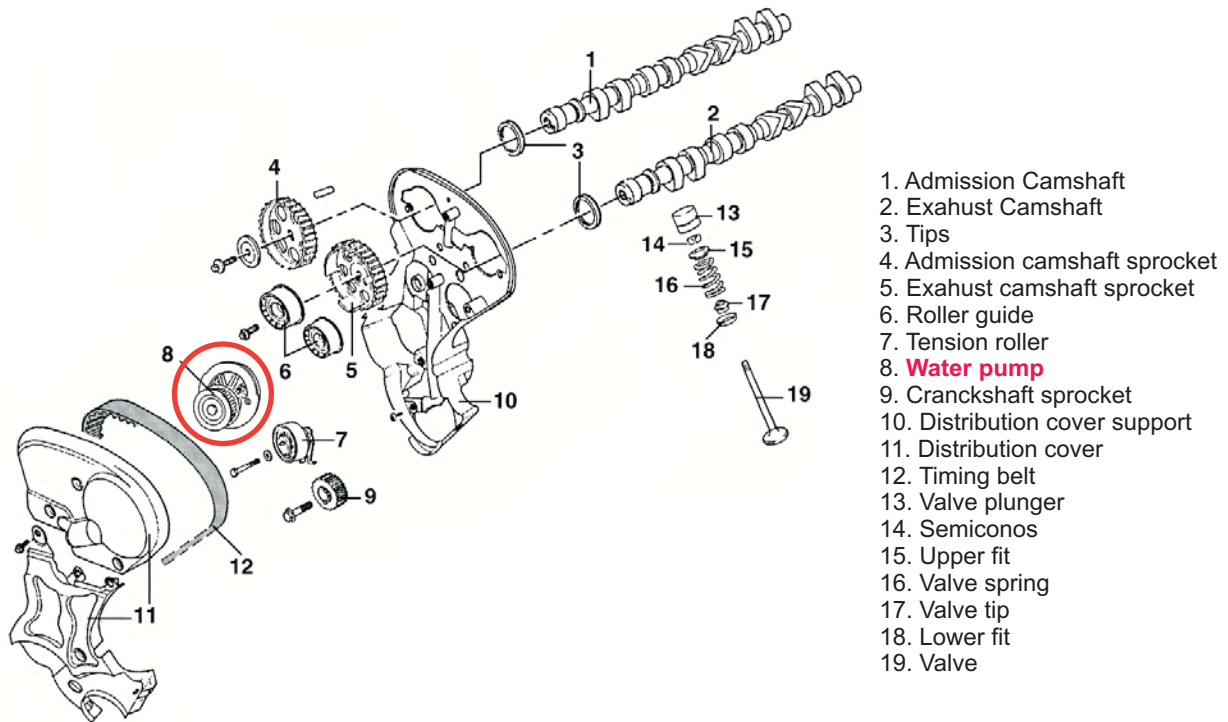
Water pump

The water pump is driven by the timing belt

HOJA DE INFORMACIÓN TÉCNICA

REFERENCIAS: 1163 / 1164 / 1164-C / 1165 / 1165-D / 1167 / 1294
1330 / 1446 / 1447 / 1448 / 1642

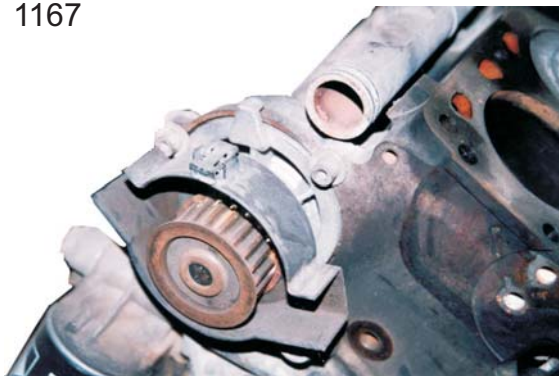
Distribution scheme from a Petrol Opel Vectra B



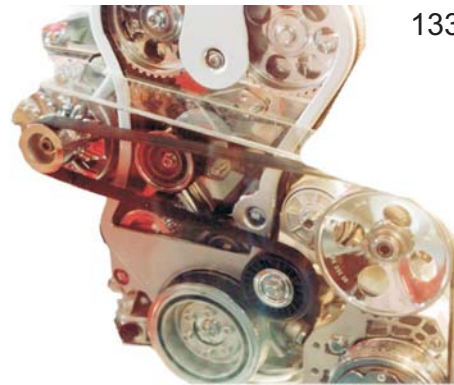
1. Admission Camshaft
2. Exahust Camshaft
3. Tips
4. Admission camshaft sprocket
5. Exahust camshaft sprocket
6. Roller guide
7. Tension roller
8. **Water pump**
9. Cranckshaft sprocket
10. Distribution cover support
11. Distribution cover
12. Timing belt
13. Valve plunger
14. Semiconos
15. Upper fit
16. Valve spring
17. Valve tip
18. Lower fit
19. Valve

Examples from different Opel water pumps

1167



1330



Torque

Model	Engine	(daNa.m)
Opel Astra G		0,8
Opel Corsa '93	1.4	0,8
Opel Vectra B	1.6	0,8
Opel Vectra B	1.8 y 2.0	2,5