

TECHNICAL INFORMATION SHEET

PART NUMBERS: 1151 / 1152 / 1229



1151

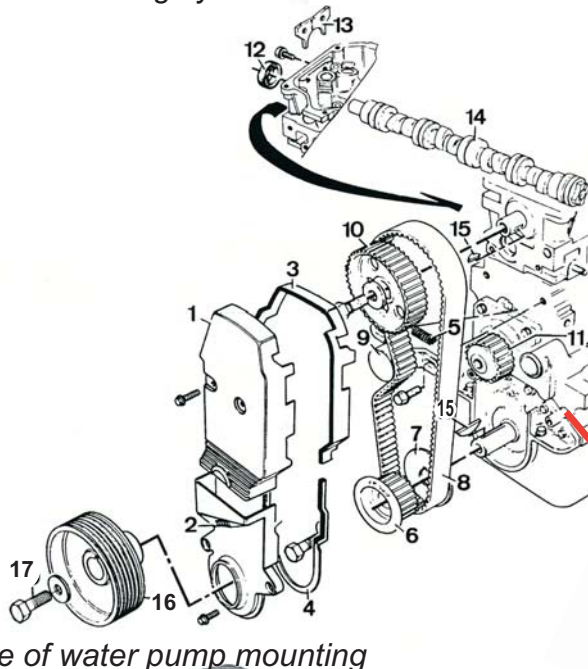


1152



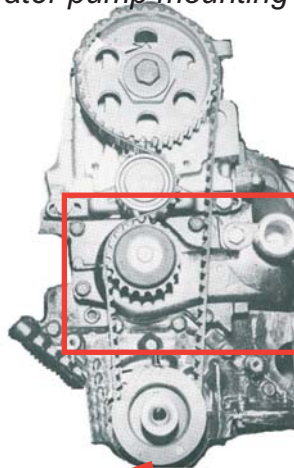
1229

Example of a cooling system from a Ford Escort / Orion / Fiesta engine



1. Upper distribution cover
2. Lower distribution cover
3. Upper gasket
4. Lower gasket
5. Tensioner roller spring
6. Crankshaft sprocket
7. Guide plate
8. Timing belt
9. Tensioner
10. Camshaft sprocket
11. Water pump pulley
12. Camshaft reinforcements
13. Camshaft clamp
14. Camshaft
15. Pin
16. Crankshaft pulley
17. Pulley bolt

Example of water pump mounting



Distribution

Water pump fixing bolts.



Water pump torque: 0.7-1 daN.m

