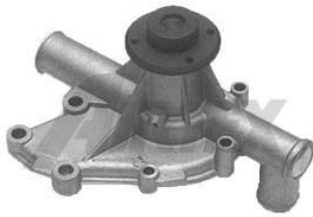


**TECHNICAL INFORMATION SHEET**

PART NUMBERS: **1142 / 1143 / 1219**



1142

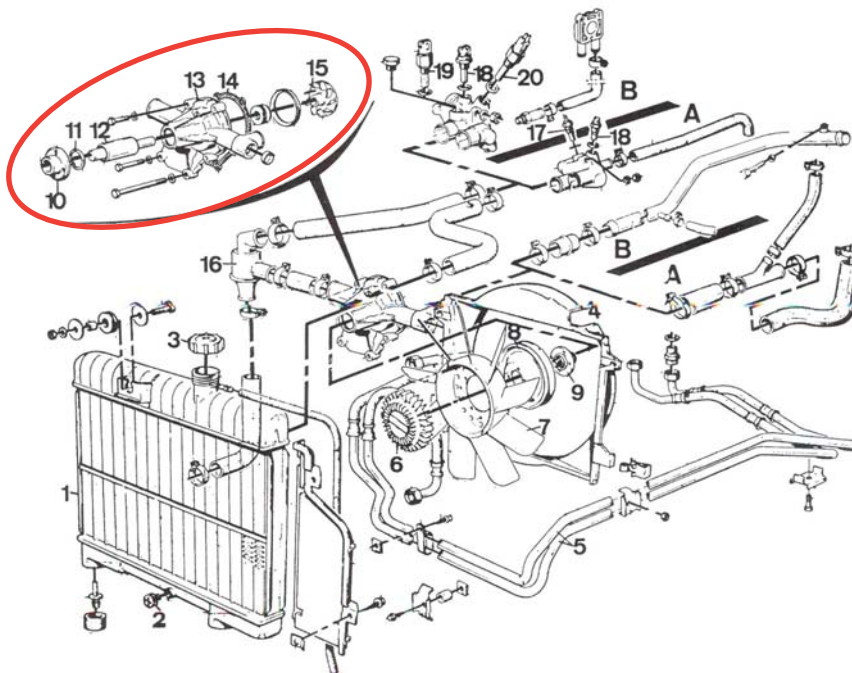


1143



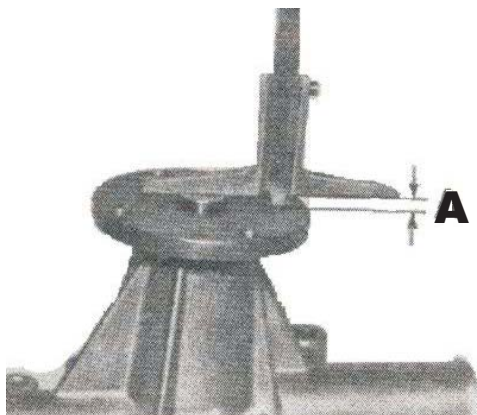
1219

Example of a cooling system from a BMW Serie 3, 4 cl. engine (PN. 1143)



1. Radiator
2. Radiator plug
3. Filling plug
4. Engine cover
5. Cooling Tubes
6. Viscous fan
7. Fan
8. Pulley
9. Hub
10. Clamp
11. Fastener ring
12. Pump shaft
13. Water pump body
14. Gasket
15. Impeller
16. Thermostat box
17. Temperature contact 55 °C
18. Gauge
19. Temperature contact
20. Temperature contact 70 °C

Verification of the right assembly for hube and impeller.



A =  $3 \pm 0,5$  mm



B =  $1 \pm 0,2$  mm