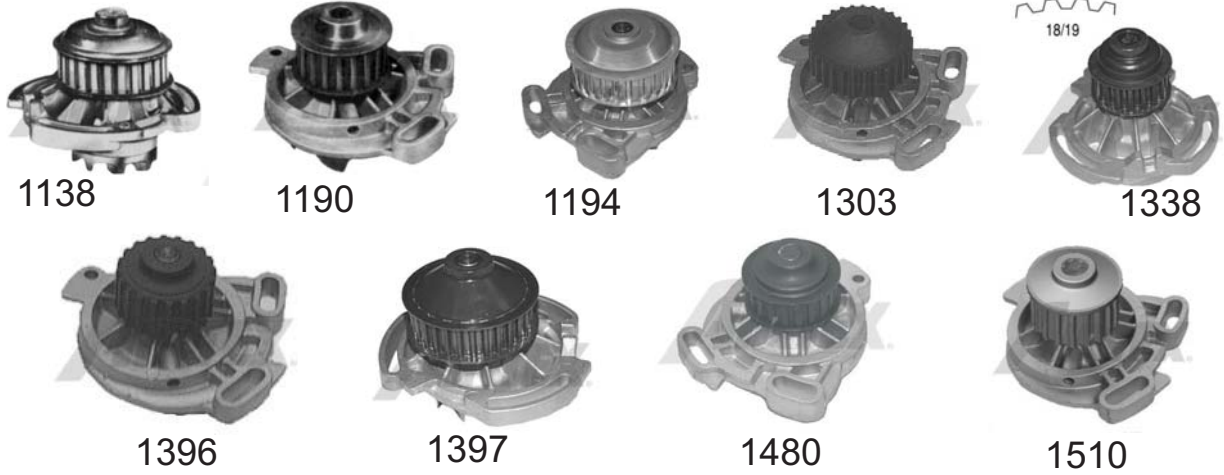
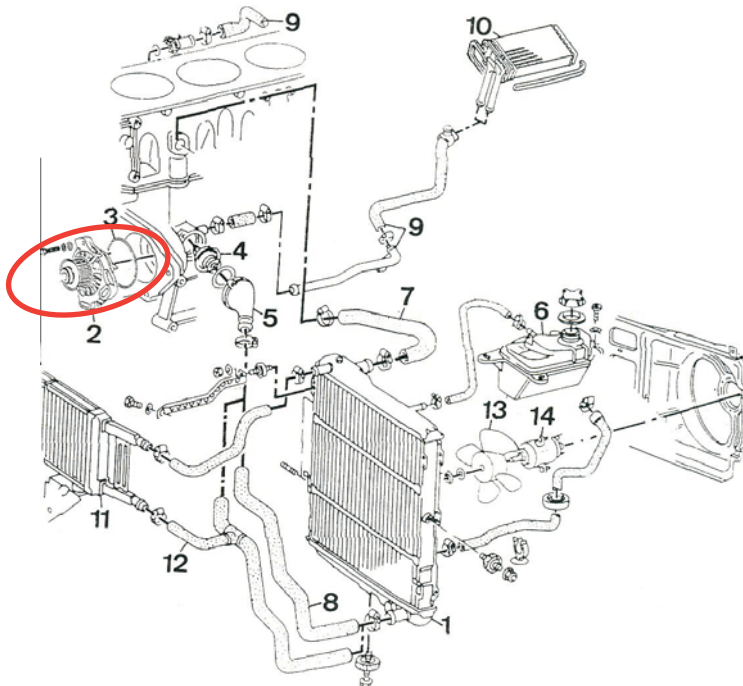


TECHNICAL INFORMATION SHEET

**PART NUMBERS: 1138 / 1190 / 1194 / 1303 / 1338 / 1396
1397 / 1480 / 1510**

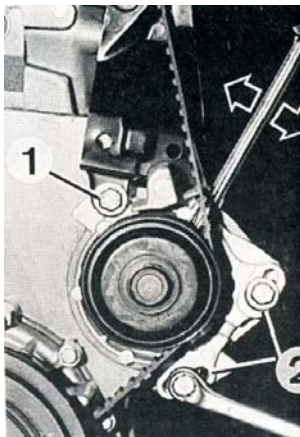


Example of a cooling system: Audi 5 cl. (1303)



- 1. Radiator
- 2. Water pump
- 3. Gasket
- 4. Thermostat
- 5. Thermostat housing
- 6. Expansion jar
- 7-8-12. Radiator hoses
- 9. Heat pipe
- 10. Heat radiator
- 11. Supplemental radiator
- 13. Radiator fan
- 14. Fan engine

Timing belt adjustment



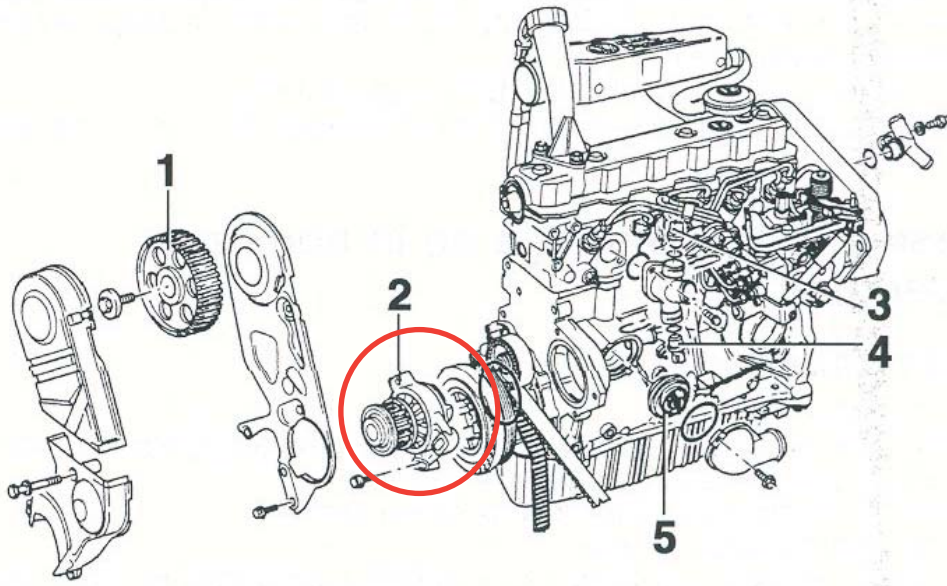
To check the timing belt tension, bend the belt 90 degrees, placing the timing belt between the camshaft and the water pump.

If it is necessary to make an adjustment, unscrew the fixings from the water pump and make it turn with a lever, as it's shown on the picture.

TECHNICAL INFORMATION SHEET

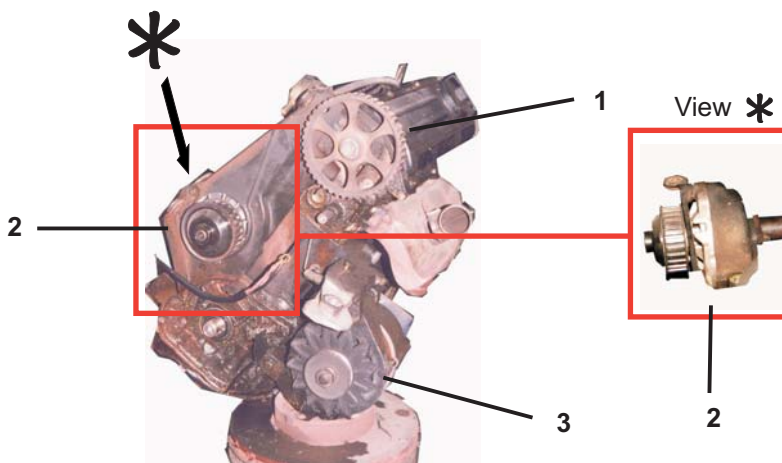
PART NUMBERS: **1138 / 1190 / 1194 / 1303 / 1338 / 1396**
1397 / 1480 / 1510

Water pump for a Volkswagen Transporter 2.5.
 (Diesel engine, 5 cylinders.1510)



- 1. Camshaft sprocket
- 2. **Water pump**
- 3. Temperature trasmission
- 4. Temperature contact
- 5. Thermostat

Example: mounting of part number 1138



- 1. Camshaft sprocket
- 2. **Water pump**
- 3. Alternator