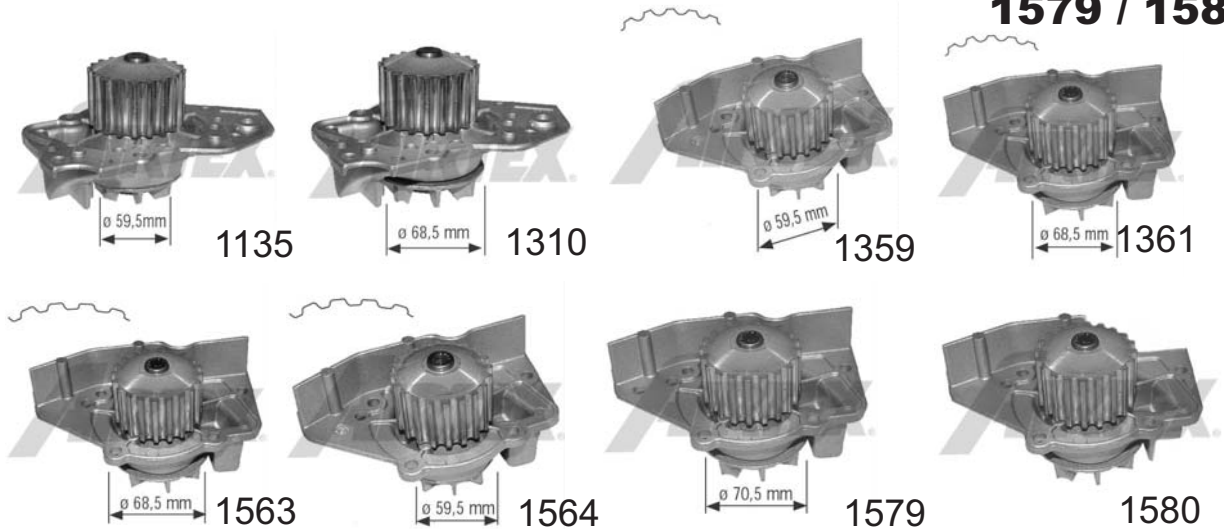


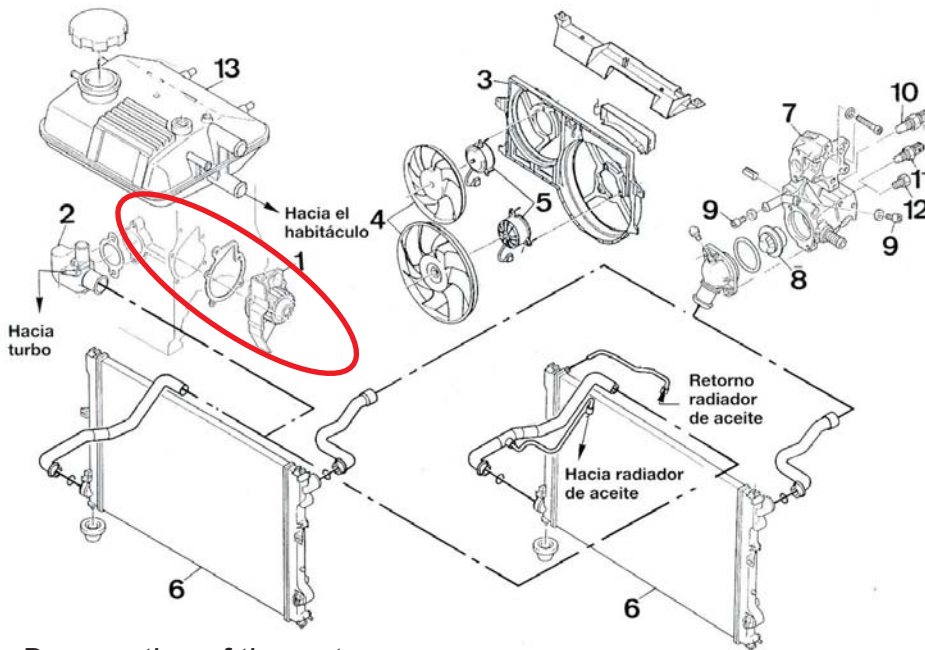
TECHNICAL INFORMATION SHEET

PART NUMBER: **1135 / 1310 / 1359 / 1361 / 1563 / 1564**

1579 / 1580



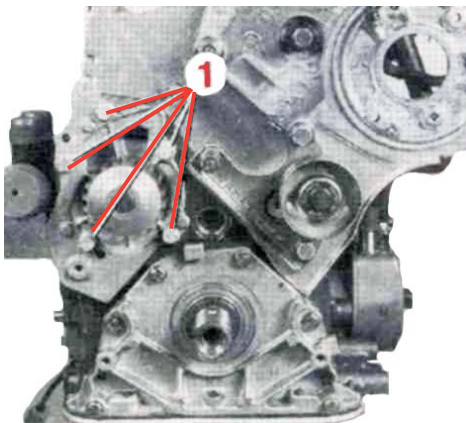
Example of a cooling system from the C. Evasión; F. Ulysse; L. Zeta; P. 806. Petrol (1359)



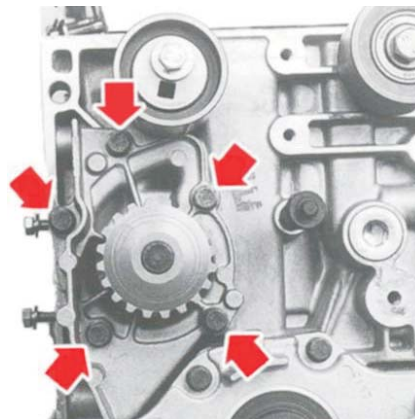
Atmospheric engine with air conditioner and turbo engine.

1. **Water pump**
2. Collector
3. Engine cover
4. Fans
5. Fan engine
6. Radiator
7. Thermostat housing
8. Thermostat
9. Bleeder screw
10. Water temperature feeler gauge
11. Temperature contact
12. Plug
13. Expansion jar

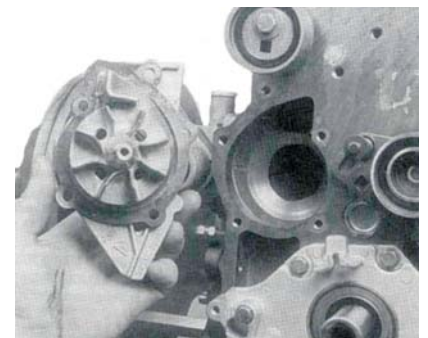
Demounting of the water pump



1. Water pump screw.
Part number: 1135 / 1310



Water pump screw
Part number: 1563/1564

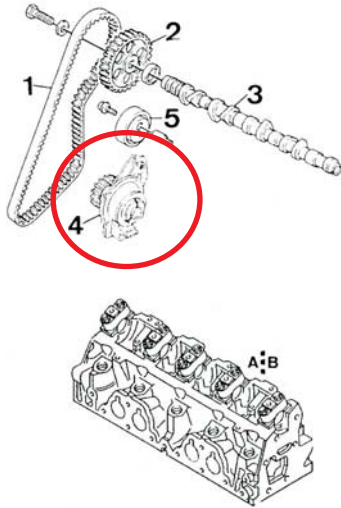


Water pump demounting
Part number: 1359

TECHNICAL INFORMATION SHEET

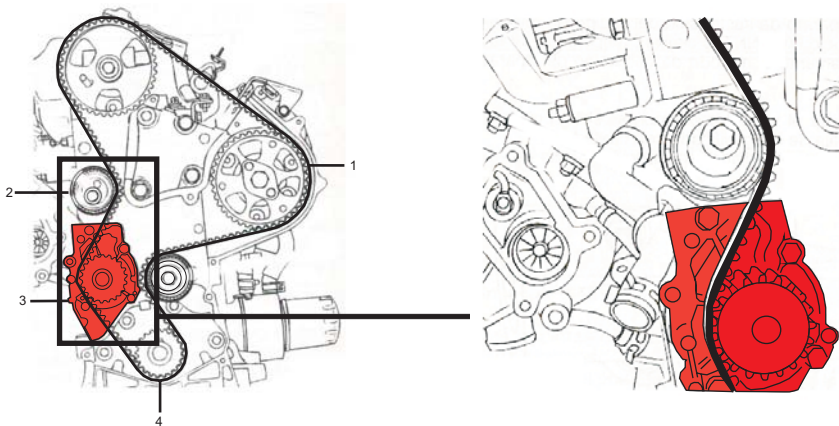
PART NUMBER: **1135 / 1310 / 1359 / 1361 / 1563 / 1564**
1579 / 1580

Distribution example



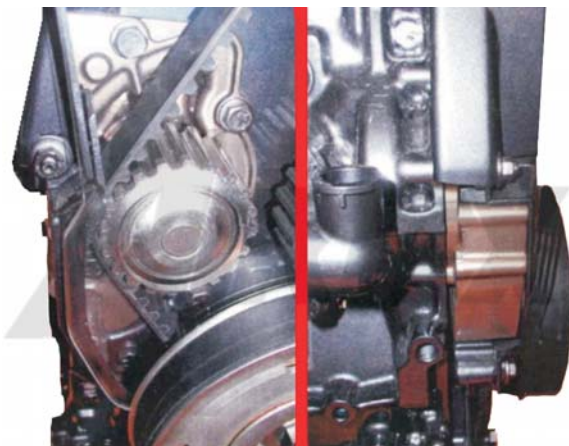
- A. Engine
- B. Turbo engine
- 1. Timing belt
- 2. Camshaft sprocket
- 3. Camshaft
- 4. Water pump
- 5. Belt idler

Example of the distribution system Citroen C5 2.0 Hdi

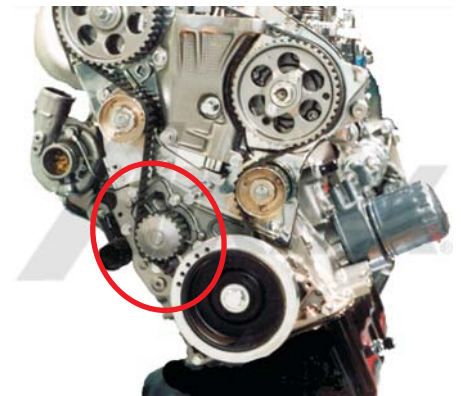


- 1. Pulley diesel injection pump
- 2. Belt idler
- 3. **Water pump**
- 4. Crankshaft sprocket

Example of water pump mounting



1580



1310

Torque

Item	Torque (daN.m)
Pump	1,5