

TECHNICAL INFORMATION SHEET

**REFERECES: 1133 / 1133-1 / 1450 / 1451 / 1456 / 1457
1604 / 1605 / 1612 / 1613 / 1664 / 1665**



1133



The same as 1133
without cover

1133-1



The same as 1457
without cover

1450



The same as 1456
without cover

1451



1456



1457



1604



The same as 1604
without cover

1605



1612



The same as 1612
without cover

1613

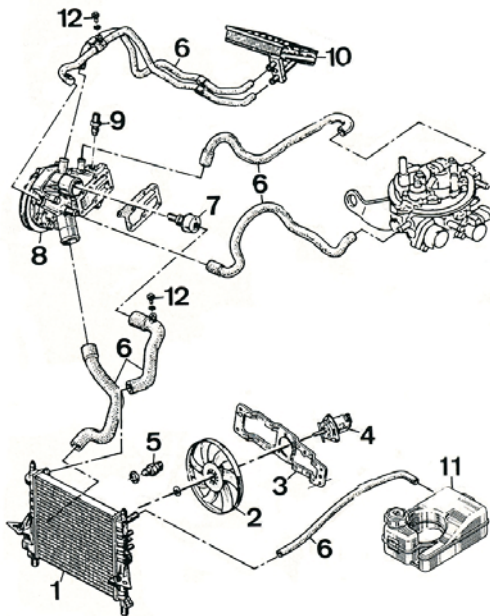


1664

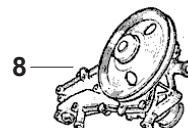


1665

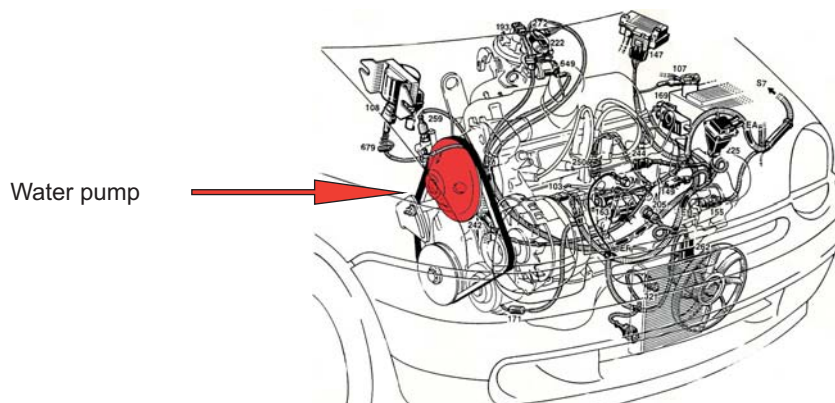
Exaple of a cooling system: Renault Twingo (Ref. 1457)



1. Radiator
2. Fan
3. Support
4. Electric motor
5. Temperature contact
6. Hoses
7. Thermostat
8. **Water Pump**
9. Feeler gauge and temperature contact
10. Heater radiator
11. Expansion Jar
12. Bleeder screw



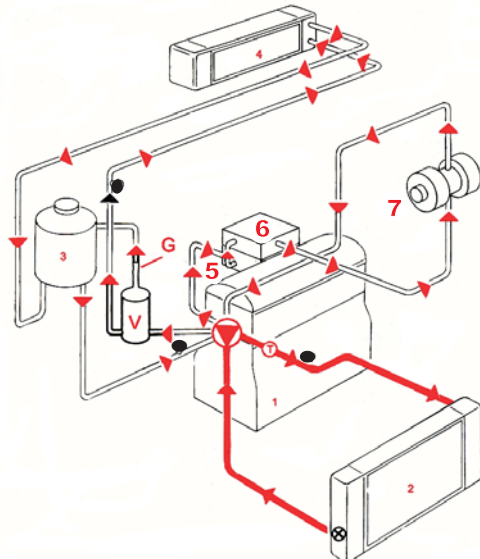
Engine scheme 1.2 without air conditioning



TECHNICAL INFORMATION SHEET

REFERENCES: **1133 / 1133-1 / 1450 / 1451 / 1456 / 1457**
1604 / 1605 / 1612 / 1613 / 1664 / 1665

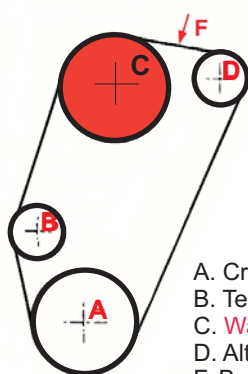
Cooling system scheme from a C1J turbo engine 1988



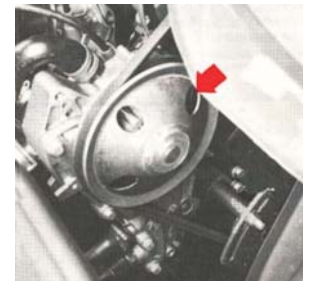
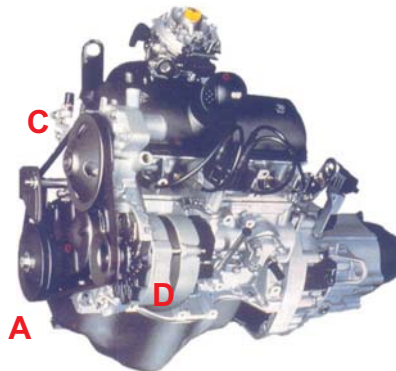
- 1. Engine
- 2. Radiator
- 4. Aerotherm
- 5. Collector
- 7. Turbo

- Water pump
- Thermostat
- Temperature contact
- Bleed
- G Nozzle
- V Desgasifier housing

Accesoires belt scheme and engine view



- A. Crankshaft pulley
- B. Tensioner
- C. Water pump pulley
- D. Alternator pulley
- F. Belt tension point



Examples of mounting from different references

