

TECHNICAL INFORMATION SHEET

PART NUMBERS: 1130 / 1130-1 / 1436 / 1437 / 1438 / 2300/KR



1130



1130-1



1436



1437



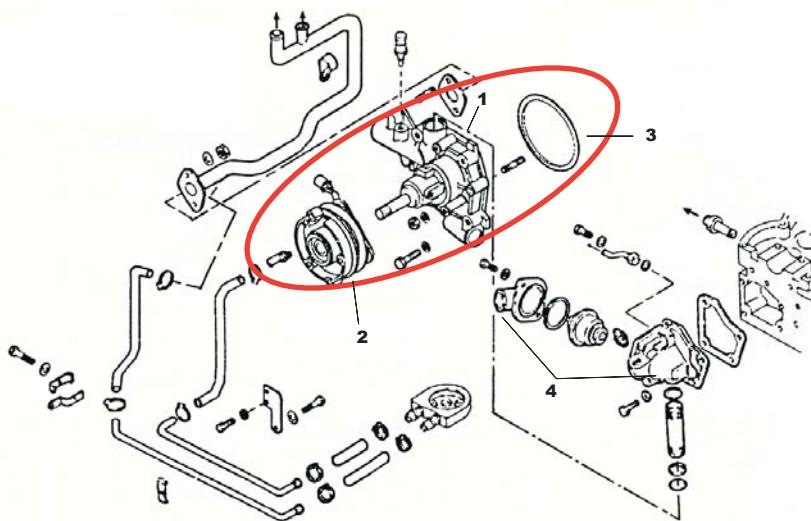
1438



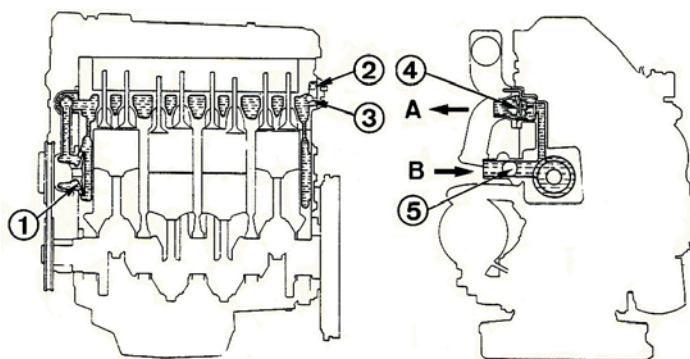
2300/KR

NOTE: All this part numbers are made on iron except the part number 1438, it is made on aluminium.

Example of the cooling system of an Iveco New Daily



- 1. Water Pump
- 2. Electromagnetic pulley
- 3. Gasket
- 4. Thermostat



Longitudinal section

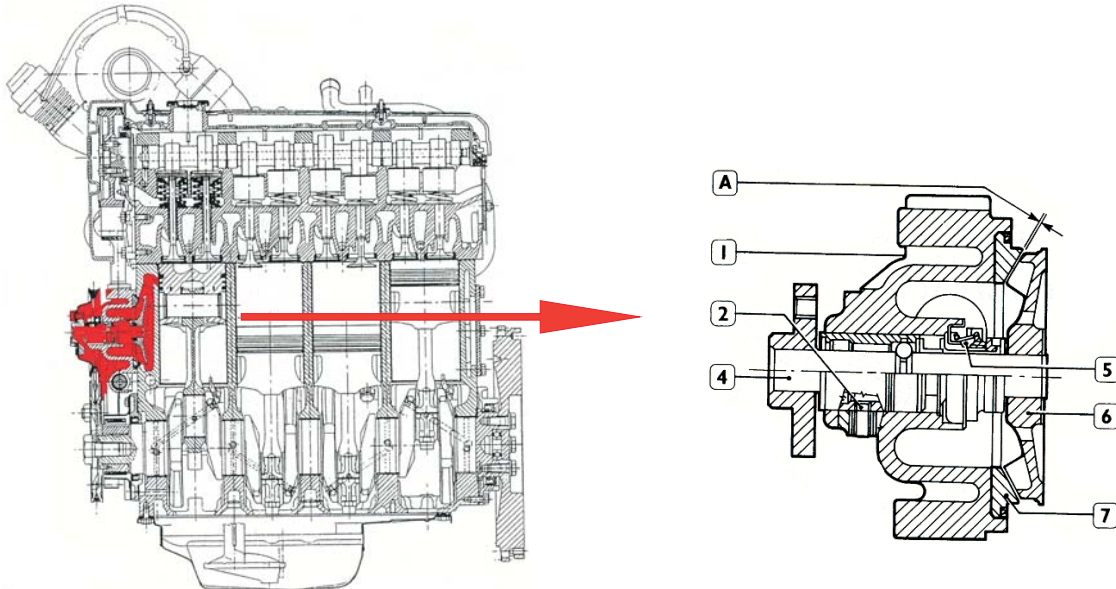
Cross section

- A. Outlet
- B. Inlet
- 1. Water pump
- 2. Heat conduct
- 3. Temperature lead
- 4. Thermostat
- 5. Heat return

TECHNICAL INFORMATION SHEET

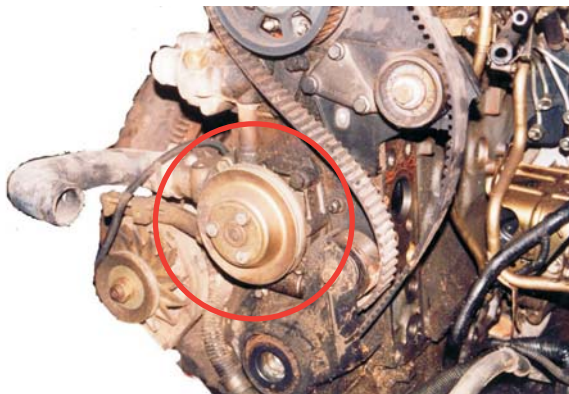
PART NUMBERS: 1130 / 1130-1 / 1436 / 1437 / 1438 / 2300/KR

Mounting of the water pump

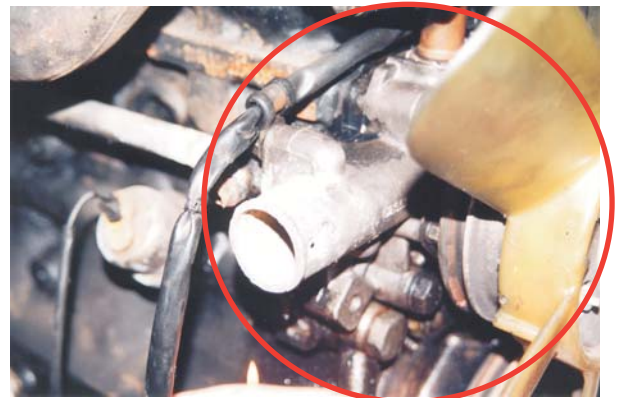


- A. 0.56 - 1.08
- 1. Water pump body
- 2. Bearing bolt
- 3. Clamp
- 4. Water pump shaft
- 5. Holder
- 6. Impeller
- 7. Ring

Mounting of the part number 1437



Front view



Side view